

**SINGER**  
**112W130,W131,W135**

# LIST OF PARTS



## MACHINES Nos. 112w130, 112w131 and 112w135

THE SINGER MANUFACTURING COMPANY

## INDEX

	PAGE
ACCESSORIES .....	3
BOBBIN WINDER .....	6
FEED DOGS .....	9
KNEE LIFTER .....	11
MACHINE No. 112w130 .....	17
"    "    112w131 .....	17
"    "    112w135 .....	17
MISCELLANEOUS PARTS .....	25
NUMERICAL LIST OF PARTS .....	29
OBSOLETE PARTS .....	25
PRESSER FEET .....	11
TAPE HOLDER .....	11
THREAD UNWINDER .....	52
THROAT PLATES .....	56
TREADLE AND CHAIN GUIDE .....	52

From the library of: Diamond Needle Corp

# Instructions for Ordering

In ordering from this list, use **ONLY** the **PART** number in the **FIRST** column.

The number stamped on a Sewing Machine Part is the number of the Single Part only, except when the part includes Set Screws, Clamping Screws, Studs and Rollers Spun on, Small Wires riveted, or Parts soldered together, etc., which it is necessary to furnish in combination.

Every combination of part sent out has its specific number which, although not stamped on Parts (except in above cases) must be used when ordering the combination.

Each number always indicates the **SAME PART** in whatever list it appears, or for whatever Machine.

The letters after some of the numbers indicate the style of finish only, as follows:

- A. Hardened, Polished and Plated.
- B. Polished and Plated.
- C. Hardened only.
- D. Polished only.
- E. Soft, not polished.
- F. Hardened and Polished.
- H. Blued

These letters **MUST BE USED** when they appear in the list and **AFTER** the number, as in the list.

In this series

- 200001 to 201500 are Screw Numbers.
- 201501 to 201800 are Nut Numbers.
- 201801 to 202000 are Roller Numbers.
- 202001 and upward are numbers of Machine Parts.

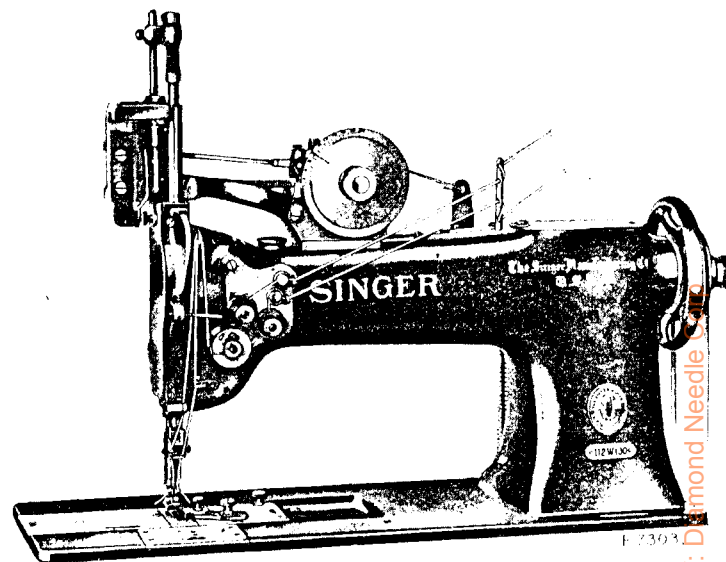
The figures in the second column refer only to the plate in which the illustration of the part is shown and are **NOT TO BE USED** in ordering.

Two or more numbers over a cut indicate that the difference between such parts is not visible in an illustration.

Parts marked with an asterisk (\*) are furnished only when repairs are made at the factory.

## LIST OF PARTS COMPLETE

FOR



### MACHINE No. 112w130

For Men's Collars, Sewing Pockets on Shirts, Taping Middy Blouse Collars, etc. Has Mechanism for Disengaging and Automatically Re-engaging the Left Hand Needle

In gauges from  $\frac{1}{8}$  to  $\frac{3}{8}$  inch

No.	Plate	Name
*236701	---	Arm with 202135 .....
202247	14434	" Cap .....
200278 <sub>n</sub>	13201	" " Screw .....
202248	13201	" " " Washer .....
236702	14434	" Cover Plate .....
200126 <sub>b</sub>	14433	" " " Screw .....
204235	13201	" Position Pin (2) .....
200004 <sub>E</sub>	13201	" Screw (3) .....
202005	13201	" " Washer (3) .....
236703	14435	" Shaft with 200357 <sub>E</sub> and 203100 .....
237748	14434	" " Bushing (back) with .....
		202299 .....
202299	---	Arm Shaft Bushing (back) Oil .....
		Packing (wick) .....

From the library of: Diamond Needle Co.

No.	Plate	Name
200071E	14433	Arm Shaft Bushing (back) Screw (3) .....
202245	14434	Arm Shaft Bushing (front) with 202036 and 202260 .....
202260	—	Arm Shaft Bushing (front) Oil Packing (wick) .....
200502B	13201	Arm Shaft Bushing (front) Oil Packing Thumb Screw .....
202036	13201	Arm Shaft Bushing (front) Position Pin .....
200341c	13232	Arm Shaft Bushing (front) Set Screw .....
224103	14435	Arm Shaft Connection Belt .....
224200	13276	" " " " Pulley with 200327c, 200602E and two 202253 .....
200602E	13276	Arm Shaft Connection Belt Pulley Position Screw .....
200327c	13201	Arm Shaft Connection Belt Pulley Set Screw .....
202253	13276	Arm Shaft Connection Belt Pulley Spring Flange .....
224138	14433	Arm Shaft Connection Belt Timing Collar with 200113F .....
200113F	13276	Arm Shaft Connection Belt Timing Collar Set Screw .....
224139	14434	Arm Shaft Connection Belt Timing Plate .....
200164B	13276	Arm Shaft Connection Belt Timing Plate Screw (2) .....
203100	—	Arm Shaft Oil Packing (wick) .....
200357E	13201	" " " " Stop Screw .....
224144	14434	Attachment Slide Plate with 213479 and 236061 .....
236061	13276	Attachment Slide Plate Friction Slide .....
213479	14433	Attachment Slide Plate Friction Slide Spring .....
235806	14435	Balance Wheel (belt groove 2½ in. diam.) with 200328c and 200335c .....
200328c	13201	Balance Wheel Position Screw .....
200335c	13201	" " Set Screw .....
*224105	—	Bed with 202062 .....
202258	13201	" Hinge Connection (2) .....
200570E	13232	" " " Screw (4) .....
54897	13276	" Oil Cup .....
236794	14434	" Slide (back) .....
200861D	14433	" " " Clamp Screw .....
223811	13276	" " " Stop .....
223812	13276	" " " " Spring .....

No.	Plate	Name
223853	14434	Bed Slide (front) .....
203208	14433	Bobbin (2) .....
203210	14433	" Case Base with 202056, 203211 to 203213 and 203216 .....
203211	14433	Bobbin Case Base Latch .....
*202056	—	" " " " Pin .....
203212	14433	" " " " Plunger .....
203213	14433	" " " " Spring .....
236780	14433	" " Cap with 200984c, 203214, 203215 and two 200594c .....
224004	13225	Bobbin Case Opener .....
224005	13225	" " " Lever with 201349c, 201542c and 203101 .....
201349c	13232	Bobbin Case Opener Lever Driving Screw Stud .....
201542c	13232	Bobbin Case Opener Lever Driving Screw Stud Nut .....
203101	—	Bobbin Case Opener Lever Driving Screw Stud Oil Packing (wick) .....
223622	13232	Bobbin Case Opener Lever Hinge Stud with 202277 .....
202277	—	Bobbin Case Opener Lever Hinge Stud Oil Packing (wick) .....
200364c	14433	Bobbin Case Opener Lever Hinge Stud Set Screw .....
223623	13232	Bobbin Case Opener Lever Link .....
200118D	13232	" " " Screw .....
203214	14433	" " Tension Spring .....
200984c	14433	" " " " Regulating Screw .....
200594c	13232	Bobbin Case Tension Spring Screw .....
203215	14433	" " Thread Guide .....
200594c	13232	" " " " Screw .....
203216	—	" " Washer (cloth) .....
236781	—	Bobbin Case complete, Nos. 203210 and 236780 .....
236791	14433	Edge Guide .....
236792	14433	" " Bracket .....
200469B	14433	" " " Thumb Screw .....
228032	14433	" " " " " Washer .....
200473B	13232	Edge Guide Thumb Screw .....
202603	14433	" " " " Washer .....
236793	—	Edge Guide complete, Nos. 200473B, 202603, 236791 and 236792 .....
236795	14435	Face Plate .....
202135	13232	" " Position Pin .....
200462B	13232	" " Thumb Screw .....

No.	Plate	Name
224050	14436	Feed Bar with 200336E and 201535E
224051	-----	" " 224050 with 200189C, 224052 and 225837 .....
201223C	13232	Feed Bar Hinge Screw (driving) ..
201518E	13232	" " " " Nut .....
236704	14450	" Dog, for 236818 .....
236706	14451	" " " 236770 .....
236707	14450	" " " 236770 and 236816 ..
236708	14452	" " " 236815 .....
200106E	13232	" " Screw (2) .....
200336E	13276	" " Support Screw .....
201535E	13232	" " " " Nut .....
224106	14434	" Driving Connection with 200049D and 202277 .....
201407C	14433	Feed Driving Connection Hinge Screw .....
201517D	13232	Feed Driving Connection Hinge Screw Nut .....
206758	-----	Feed Driving Connection Hinge Screw Oil Packing (wick) .....
202277	-----	Feed Driving Connection Oil Pack- ing (wick) .....
200049D	13232	Feed Driving Connection Pinch Screw .....
202300	14436	Feed Driving Eccentric Regulating Bracket .....
224140	-----	Feed Driving Eccentric Regulating Bracket 202300 with 224200, two each 201408C and 201525E .....
201408C	14433	Feed Driving Eccentric Regulating Bracket Hinge Screw .....
201525E	14433	Feed Driving Eccentric Regulating Bracket Hinge Screw Nut .....
202301	14433	Feed Driving Eccentric Regulating Bracket Plunger .....
202595	14433	Feed Driving Eccentric Regulating Bracket Plunger Spring .....
200607C	14433	Feed Driving Eccentric Regulating Bracket Plunger Spring Stop Screw .....
201408C	14433	Feed Driving Eccentric Regulating Bracket Stop Screw .....
201525E	14433	Feed Driving Eccentric Regulating Bracket Stop Screw Nut .....
200429C	14433	Feed Driving Eccentric Regulating Screw .....
200383C	14433	Feed Driving Eccentric Regulating Screw Check Screw .....

No.	Plate	Name
223650	13213	Feed Driving Rock Shaft .....
223651	-----	" " " " 223650 with 201223C, 201518E and 224051
224141	14433	Feed Driving Rock Shaft Crank with 200019E .....
200019E	14433	Feed Driving Rock Shaft Crank Pinch Screw .....
202625	14433	Feed Driving Rock Shaft Stop Col- lar with two 200383C (2) .....
200383C	14433	Feed Driving Rock Shaft Stop Col- lar Set Screw .....
224154	14437	Feed Lifting Cam with 201220C ...
224052	13276	" " " Fork with 200173D and 223655 .....
200189C	13276	Feed Lifting Cam Fork Screw ....
225837	13276	" " " " Wash- er .....
223655	-----	Feed Lifting Cam Oiling Felt .....
200173D	13276	" " " " " Screw
201220C	13276	" " " Set Screw .....
224151	14436	" Regulating Spindle with 202311, 202443, 202619 and 210554 .....
*202311	-----	Feed Regulating Spindle Head ...
202443	13276	" " " " Pin
202619	13276	" " " " Posi- tion Pin .....
210554	13276	Feed Regulating Spindle Spring (flat) .....
*224016	-----	Hook (sewing) .....
224017	13225	" 224016 with 203525, 224025, two each 200590U and 201253F ..
236782	-----	Hook and Bobbin Case complete, Nos. 224017 and 236781 .....
224019	13225	Hook Bushing (lower) (bronze) ..
200364C	14433	" " " Set Screw ...
224020	13225	" " (upper) (bronze) ....
200446C	14437	" " " Position Screw
223867	13234	" Driving Gear (spiral) with 200362C and 201222C (2) .....
201222C	13234	Hook Driving Gear Position Screw
200362C	13234	" " " Set Screw ....
224921	13225	" " Pinion (spiral) with two 200382C .....
200382C	14436	Hook Driving Pinion Set Screw ...
224022	13225	" " " Thrust Washer
224110	14435	" " Shaft .....
224111	14436	" " " Bushing with 202244 .....
202244	-----	Hook Driving Shaft Bushing Oil Packing (wick) .....

No.	Plate	Name
200327c	13201	Hook Driving Shaft Bushing Set Screw .....
224112	14436	Hook Driving Shaft Connection Belt Pulley with 202253 and two 201254c .....
201254c	14437	Hook Driving Shaft Connection Belt Pulley Set Screw .....
202253	13276	Hook Driving Shaft Connection Belt Pulley Spring Flange .....
203525	13234	Hook Glb .....
201253F	13234	" " Screw .....
224023	14436	" Saddle (left) with 200009E, 200446c, 224019, 224020 and two 200364c .....
224024	14436	Hook Saddle (right) with 200009E, 200446c, 224019, 224020 and two 200364c .....
223680	14436	Hook Saddle Bearing (left) .....
200327c	13201	" " " " Set Screw .....
223681	14436	Hook Saddle Bearing (right) .....
200335c	13201	" " " " Set Screw .....
223682	14435	Hook Saddle Oil Guard .....
223814	---	" " " " Felt .....
200096D	13234	" " " " Screw (2) .....
200009E	13234	" " Pinch Screw .....
200006E	13234	" " Screw (2) .....
225585	13234	" " " Washer (2) .....
236783	---	Hook Saddle (left) complete, Nos. 200118D, 223622, 223623, 224004, 224005, 224021 to 224023 and 236782 .....
236784	---	Hook Saddle (right) complete, Nos. 200118D, 223622, 223623, 224004, 224005, 224021, 224022, 224024 and 236782 .....
224025	13225	Hook Washer .....
200590H	14437	" " Screw .....
208490	14438	Knee Lifter Connection Lever .....
200238H	14437	" " " " Hinge Screw .....
223684	14438	Knee Lifter Connection Lever Lifting Rod with 202302 .....
202302	13234	Knee Lifter Connection Lever Lifting Rod Cotter Pin .....
206628	14437	Knee Lifter Connection Lever Lifting Rod Spring .....

No.	Plate	Name
227227	14437	Knee Lifter Connection Lever Lifting Rod Spring Collar with 200113F .....
200113F	13276	Knee Lifter Connection Lever Lifting Rod Spring Collar Set Screw .....
223685	14438	Knee Lifter Lifting Lever .....
200262H	14437	" " " " Hinge Screw .....
*236834	---	Needle Bar (left) .....
*236835	---	" " (right) .....
236836	---	" " 236835 with 236834 .....
236837	14438	Needle Bar complete, in gauges from $\frac{1}{8}$ to $\frac{5}{8}$ in., in steps of $\frac{1}{16}$ in., Nos. 200959F, 236738, 236832, 236836 and two 350187D .....
236838	14438	Needle Bar complete, in gauges $\frac{1}{8}$ and $\frac{3}{8}$ in., Nos. 200959F, 236738, 236833, 236836 and two 350187D .....
236713	14438	Needle Bar Bushing (lower) .....
236799	14438	" " " (upper) .....
200352c	14427	" " " Set Screw (2) .....
202552	13234	" " Connecting Link .....
236073	14437	" " " " Oil Guard .....
201183D	14437	Needle Bar Connecting Link Oil Guard Screw .....
202333	14437	Needle Bar Connecting Link Stud with 202254 .....
202254	---	Needle Bar Connecting Link Stud Oil Packing (wick) .....
200374c	13234	Needle Bar Connecting Link Stud Set Screw .....
200383c	14433	Needle Bar Connecting Link Stud Set Screw .....
236715	14437	Needle Bar Connecting Stud with 202330 and two 200086c .....
202330	---	Needle Bar Connecting Stud Oil Packing (wick) .....
200086c	14437	Needle Bar Connecting Stud Pinch Screw .....
236800	14438	Needle Bar Crank with 200335c, 200374c, 200383c, 200428c and 202333 .....
236801	---	Needle Bar Crank 236800 with 202399, 202400, 202552, 223881 and 236715 .....
203172	14437	Needle Bar Crank Friction Washer .....
200428c	14437	" " " Position Screw .....
200335c	13201	" " " Set Screw .....
236802	14435	" " Disengaging Bell Crank

No.	Plate	Name
204443	14437	Needle Bar Disengaging Bell Crank Spring .....
203060	14437	Needle Bar Disengaging Bell Crank Spring Hook .....
236804	14437	Needle Bar Disengaging Bell Crank Stop Plate .....
200098E	14437	Needle Bar Disengaging Bell Crank Stop Plate Screw (2) .....
236806	14439	Needle Bar Disengaging Spring ...
200288H	14437	" " " " Screw
236807	14437	" " " Trip Lever with 201356E, 350173C, 350174C and two 201537H .....
1478H	14437	Needle Bar Disengaging Trip Lever Hinge Screw .....
236808	14440	Needle Bar Disengaging Trip Lever Lock Lever .....
236785	14440	Needle Bar Disengaging Trip Lever Lock Lever Adjusting Block ...
200076D	14440	Needle Bar Disengaging Trip Lever Lock Lever Adjusting Block Screw .....
350176D	14440	Needle Bar Disengaging Trip Lever Lock Lever Adjusting Thumb Screw .....
236809	---	Needle Bar Disengaging Trip Lever Lock Lever complete, Nos. 200076D, 236785, 236808 and 350176D .....
1301C	14440	Needle Bar Disengaging Trip Lever Lock Lever Hinge Screw .....
204225	14440	Needle Bar Disengaging Trip Lever Lock Lever Spring .....
236723	14440	Needle Bar Disengaging Trip Lever Lock Lever Spring Plunger ....
350173C	14140	Needle Bar Disengaging Trip Lever Locking Screw Stud .....
201537H	14440	Needle Bar Disengaging Trip Lever Locking Screw Stud Nut .....
236724	14440	Needle Bar Disengaging Trip Lever Pitman .....
236725	---	Needle Bar Disengaging Trip Lever Pitman 236724 with 1697C, 1698C, 38446 and 250143 .....
*38444	---	Needle Bar Disengaging Trip Lever Pitman End Bearing (back) ....
38446	14440	Needle Bar Disengaging Trip Lever Pitman End Bearing 38444 with 42524, 50016C and two 187E ....

No.	Plate	Name
50016C	14440	Needle Bar Disengaging Trip Lever Pitman End Bearing (back) Ball Screw Stud .....
*42524	---	Needle Bar Disengaging Trip Lever Pitman End Bearing (back) Cap
187E	14440	Needle Bar Disengaging Trip Lever Pitman End Bearing (back) Cap Screw .....
1698C	14440	Needle Bar Disengaging Trip Lever Pitman End Bearing (back) Check Nut .....
*38443	---	Needle Bar Disengaging Trip Lever Pitman End Bearing (front) ...
250143	14440	Needle Bar Disengaging Trip Lever Pitman End Bearing 38443 with 42525, 201449C and two 187E ....
201449C	14440	Needle Bar Disengaging Trip Lever Pitman End Bearing (front) Ball Screw Stud .....
*42525	---	Needle Bar Disengaging Trip Lever Pitman End Bearing (front) Cap
187E	14440	Needle Bar Disengaging Trip Lever Pitman End Bearing (front) Cap Screw .....
1697C	14440	Needle Bar Disengaging Trip Lever Pitman End Bearing (front) Check Nut .....
236726	14440	Needle Bar Disengaging Trip Lever Unlocking Lever with 200444C and 201052C .....
200444C	14440	Needle Bar Disengaging Trip Lever Unlocking Lever Position Screw
201052C	14440	Needle Bar Disengaging Trip Lever Unlocking Lever Set Screw ....
236727	14440	Needle Bar Disengaging Trip Lever Unlocking Lever Shaft .....
236810	14440	Needle Bar Disengaging Trip Lever Spring .....
201356E	14440	Needle Bar Disengaging Trip Lever Spring Screw Stud (2) .....
200329C	14440	Needle Bar Disengaging Trip Lever Stop Screw .....
201533E	14440	Needle Bar Disengaging Trip Lever Stop Screw Nut .....
236840	14440	Needle Bar Locking Pin .....
236729	14440	" " " " Disengaging Lever .....
350191C	14440	Needle Bar Locking Pin Disengaging Lever Hinge Screw .....

No.	Plate	Name
236730	14441	Needle Bar Locking Pin Disengaging Lever Link .....
350188c	14441	Needle Bar Locking Pin Disengaging Lever Screw Stud .....
1520J	14441	Needle Bar Locking Pin Disengaging Lever Screw Stud Nut .....
236841	14441	Needle Bar Locking Pin Slide with 223847 .....
223847	—	Needle Bar Locking Pin Slide Oil Packing (wick) .....
236842	14441	Needle Bar Retaining Spring (flat)
200082D	10881	" " " " Screw (2) .....
24930	14441	Needle Bar Stop with 23548 .....
24931	14441	" " " Bracket with 191F .....
236811	14441	" " " " Bar .....
200958c	14441	" " " " " Set Screw .....
191F	14441	Needle Bar Stop Bracket Set Screw
24933	14441	" " " Collar with 175D
175D	14441	" " " " Clamping Screw .....
23474	14441	Needle Bar Stop Collar Washer (rawhide) .....
23548	14441	Needle Bar Stop Plug (fibre) .....
25478	14441	" " " Spring .....
*236737	—	" Holder (left) with 200125F, for gauges from $\frac{1}{8}$ to $\frac{3}{16}$ in., in steps of $\frac{1}{32}$ inch .....
*236822	—	Needle Holder (left) with 200125F, for gauges $\frac{1}{8}$ and $\frac{3}{16}$ inch .....
350187D	14441	Needle Holder (left) Screw .....
236738	14441	" " " Thread Guide
*236739	—	" " (right) with 200125F, for gauges from $\frac{1}{8}$ to $\frac{3}{16}$ in., in steps of $\frac{1}{32}$ inch .....
236832	—	Needle Holder 236739 with 236737, in gauges from $\frac{1}{8}$ to $\frac{3}{16}$ in., in steps of $\frac{1}{32}$ inch .....
*236823	—	Needle Holder (right) with 200125F, for gauges $\frac{1}{8}$ and $\frac{3}{16}$ inch .....
236833	—	Needle Holder 236823 with 236822, in gauges $\frac{1}{8}$ and $\frac{3}{16}$ inch .....
200959F	14441	Needle Holder (right) Screw .....
200125F	14441	" Set Screw .....
208566	14439	Presser Bar with 200074F .....
207072	14441	" " Bushing (2) .....
200352c	14437	" " " Set Screw (2) .....
208185	14441	" " Lifter .....
200653c	14441	" " " Hinge Screw .....

No.	Plate	Name
202340	13234	Presser Bar Lifting Releasing Lever Bracket .....
200260D	14442	Presser Bar Lifting Releasing Lever Bracket Guide Screw .....
202342	14442	Presser Bar Lifting Releasing Lever Bracket Spring (spiral) .....
235901	14442	Presser Bar Position Guide with 200054E .....
200054E	13201	Presser Bar Position Guide Pinch Screw .....
210948	14435	Presser Bar Spring (flat) .....
210949	14442	" " " Bracket with 200086c .....
200086c	14437	Presser Bar Spring Bracket Pinch Screw .....
201410F	14442	Presser Bar Spring Regulating Thumb Screw .....
200948F	14443	Presser Bar Spring Support Screw
236741	14452	" Foot, 46 needle hole, in gauges from $\frac{1}{8}$ to $\frac{3}{16}$ in., in steps of $\frac{1}{32}$ in., for edge stitching on collars .....
200074F	14442	Presser Foot Screw .....
236750	14442	Ratchet Wheel with 200389c and 200446c .....
236751	14442	Ratchet Wheel Driving Bell Crank
236752	14442	" " " Eccentric with 200382c and 200398c .....
236753	—	Ratchet Wheel Driving Eccentric 236752 with 1697c, 1698c, 200128e, 213740, 222023, 236754 and 236757
213740	14442	Ratchet Wheel Driving Eccentric Cap .....
200128E	14442	Ratchet Wheel Driving Eccentric Cap Screw .....
200398c	14442	Ratchet Wheel Driving Eccentric Position Screw .....
200382c	14436	Ratchet Wheel Driving Eccentric Set Screw .....
236754	14442	Ratchet Wheel Driving Eccentric Strap .....
1698c	14440	Ratchet Wheel Driving Eccentric Strap Check Nut .....
236812	14443	Ratchet Wheel Driving Pawl .....
200913F	14442	" " " " Hinge Screw .....
201526H	14442	Ratchet Wheel Driving Pawl Hinge Screw Nut .....



No.	Plate	Name
236756	14442	Ratchet Wheel Driving Pawl Spring
200126F	14433	" " " " "
		Screw .....
236757	14443	Ratchet Wheel Driving Pitman ...
679C	14443	" " " " Ball
		Screw Stud .....
*38443	---	Ratchet Wheel Driving Pitman End
		Bearing .....
222023	14443	Ratchet Wheel Driving Pitman End
		Bearing 38443 with 679C, 42525
		and two 187E .....
*42525	---	Ratchet Wheel Driving Pitman End
		Bearing Cap .....
187E	14440	Ratchet Wheel Driving Pitman End
		Bearing Cap Screw .....
1697C	14440	Ratchet Wheel Driving Pitman End
		Bearing Check Nut .....
200446C	14437	Ratchet Wheel Position Screw ...
236758	14443	" " Retaining Pawl ....
200244E	14443	" " " " Hinge
		Screw .....
236759	14443	Ratchet Wheel Retaining Pawl
		Spring .....
200118F	13232	Ratchet Wheel Retaining Pawl
		Spring Screw .....
350174C	14443	Ratchet Wheel Retaining Pawl
		Tripping Screw Stud .....
201537H	14440	Ratchet Wheel Retaining Pawl
		Tripping Screw Stud Nut .....
200389C	14443	Ratchet Wheel Set Screw .....
236760	14443	" " Spring .....
201229C	14443	" " Stop Screw .....
236761	14443	" " " " Bracket
		with 201229C and 201537H .....
200089E	14443	Ratchet Wheel Stop Screw Bracket
		Screw .....
201537H	14440	Ratchet Wheel Stop Screw Nut ...
236762	14443	Stitch Index Finger .....
200161H	14443	" " " Screw .....
236763	14439	" " Plate (inner) .....
236904	14443	" " " " Bushing ..
200958C	14441	" " " " " Set
		Screw (2) .....
236765	14439	Stitch Index Plate (outer) .....
236766	14443	" " " " Spring ..
236813	14435	" " " Bracket with
		200329C, 201356E, 201533E and
		three 200958C .....
201405E	14443	Stitch Index Plate Bracket Screw..

No.	Plate	Name
223881	14443	Take-up Lever .....
202399	14443	" " Driving Stud with
		202277 .....
202277	---	Take-up Lever Driving Stud Oil
		Packing (wick) .....
202400	14443	Take-up Lever Hinge Stud with
		202423 .....
202423	---	Take-up Lever Hinge Stud Oil
		Packing (wick) .....
200383C	14433	Take-up Lever Hinge Stud Set
		Screw .....
202401	---	Take-up Lever Oiling Felt .....
200132E	14443	" " " " Screw ..
234086	14444	Tension Bracket with two each
		200397H, 201224B and 236060 ...
200159B	14434	Tension Bracket Screw .....
234047	14443	" " " Socket ....
200368H	14443	" " " " Set
		Screw .....
236098	14443	Tension Bracket Thread Guide ....
200174H	14443	" " " " Screw
234087	---	Tension Bracket complete, Nos.
		200174H, 200978H, 201199F, 223703,
		223706, 223707, 234086, 236098,
		two each 13710, 200309E, 204059,
		204271, 223704, three 201572B and
		four 202402 .....
202402	13234	Tension Disc .....
236060	14443	" " Position Pin .....
223703	14444	" Release Lever .....
234049	14444	" " " Rod .....
200309E	14444	" " " Screw .....
223704	14444	" " Plunger .....
204271	14444	" " Washer .....
13710	14444	" Spring .....
201224B	14444	" Stud .....
201572B	10881	" Thumb Nut .....
223706	14444	Thread Controller Disc .....
200978H	---	" " " Screw .....
223707	14444	" " Spring .....
234062	14444	" " " Stop .....
200132E	14443	" " " " Screw ..
201199F	14444	" " Stud with 204925..
200061C	14444	" " " Set Screw ....
201572B	10881	" " " Thumb Nut ..
204925	14444	" " " Washer .....
224028	13225	" Guide .....
210954	14444	" " (lower) .....
200582H	13232	" " " Screw .....
202741	14444	" " (upper) .....

No.	Plate	Name
200397H	---	Thread Guide (upper) Set Screw ..
210956	14444	" Retainer Bracket with 200397H
200582H	13232	" " " Screw (2) ..
202091	14444	" " Sleeve .....
210993	14444	" " " .....
202092	14444	" " Spring .....
223844	14444	" " " .....
204058	14444	" " Stud .....
210957	14444	" " " .....
210958	14444	" " " Collar .....
200397H	---	" " " Set Screw .....
200389C	14443	" " " " " .....
204059	---	Thread Retainer complete, Nos. 202091, 202092 and 204058 .....
210959	---	Thread Retainer (lower) complete, Nos. 210956 to 210958, 210993 and 223844 .....
236770	14449	Throat Plate, 50 needle hole, for needle sizes 14 and 15, in gauges $\frac{1}{8}$ and $\frac{5}{32}$ in., for 236706 and 236707
236815	14449	Throat Plate, 50 needle hole, for needle sizes 14 and 15, in $\frac{3}{16}$ in. gauge, for edge stitching on col- lars, for 236708 .....
236816	14449	Throat Plate, 50 needle hole, for needle sizes 14 and 15, in gauges $\frac{7}{32}$ and $\frac{1}{4}$ in., for edge stitching on collars, for 236707 .....
236818	14450	Throat Plate, 50 needle hole, for needle sizes 14 and 15, in gauges $\frac{3}{16}$ , $\frac{1}{8}$ , $\frac{1}{4}$ and $\frac{1}{2}$ in., for 236704 ..
200161D	14443	Throat Plate Clamp Screw .....
202062	14444	" " Position Pin .....
691E	14444	" " Screw .....

## LIST OF PARTS COMPLETE

FOR

**MACHINE No. 112w131**

For Two Row Stitching in Fabrics. Has Mechanism for  
Disengaging and Automatically Re-engaging the  
Left Hand Needle

In gauges from  $\frac{1}{16}$  to 1 inch

No.	Plate	Name
*236701	---	Arm with 202135 .....
202247	14434	" Cap .....
200278H	13201	" " Screw .....
202248	13201	" " " Washer .....
236702	14434	" Cover Plate .....
200126D	14433	" " " Screw .....
204235	13201	" Position Pin (2) .....
200004E	13201	" Screw (3) .....
202005	13201	" " Washer (3) .....
236703	14435	" Shaft with 200357E and 203100
237748	14434	" " Bushing (back) with 202299 .....
202299	---	Arm Shaft Bushing (back) Oil Packing (wick) .....
200071E	14433	Arm Shaft Bushing (back) Screw (3) .....
202245	14434	Arm Shaft Bushing (front) with 202036 and 202260 .....
202260	---	Arm Shaft Bushing (front) Oil Packing (wick) .....
200502B	13201	Arm Shaft Bushing (front) Oil Packing (wick) Thumb Screw ..
202036	13201	Arm Shaft Bushing (front) Position Pin .....
200341C	13232	Arm Shaft Bushing (front) Set Screw .....
224103	14435	Arm Shaft Connection Belt .....
224200	13276	" " " " Pulley with 200327C, 200602E and two 202253 .....
200602E	13276	Arm Shaft Connection Belt Pulley Position Screw .....
200327C	13201	Arm Shaft Connection Belt Pulley Set Screw .....

From the library of: Diamond Needle Corp

No.	Plate	Name
202253	13276	Arm Shaft Connection Belt Pulley Spring Flange .....
224138	14433	Arm Shaft Connection Belt Timing Collar with 200113e .....
200113e	13276	Arm Shaft Connection Belt Timing Collar Set Screw .....
224139	14434	Arm Shaft Connection Belt Timing Plate .....
200164b	13276	Arm Shaft Connection Belt Timing Plate Screw (2) .....
203100	---	Arm Shaft Oil Packing (wick) ...
200357e	13201	" " " Stop Screw...
224144	14434	Attachment Slide Plate with 213479 and 236061 .....
236061	13276	Attachment Slide Plate Friction Slide .....
213479	14433	Attachment Slide Plate Friction Slide Spring .....
235806	14435	Balance Wheel (belt groove 2½ in. diam.) with 200328c and 200335c
200328c	13201	Balance Wheel Position Screw ....
200335c	13201	" " Set Screw .....
*224105	---	Bed with 202062 .....
202258	13201	" Hinge Connection (2) .....
200570e	13232	" " " Screw (4) ...
54897	13276	" Oil Cup .....
236794	14434	" Slide (back) .....
200861d	14433	" " " Clamp Screw ....
223811	13276	" " " Stop .....
223812	13276	" " " Spring .....
223853	14434	" " (front) .....
203208	14433	Bobbin (2) .....
203210	14433	" Case Base with 202056, 203211 to 203213 and 203216 .....
203211	14433	Bobbin Case Base Latch .....
*202056	---	" " " " Pin .....
203212	14433	" " " " Plunger ..
203213	14433	" " " " Spring ..
236780	14433	" " Cap with 200984c, 203214, 203215 and two 200594c..
224004	13225	Bobbin Case Opener .....
224005	13225	" " " Lever with 201349c, 201542c and 203101 ....
201349c	13232	Bobbin Case Opener Lever Driving Screw Stud .....
201542c	13232	Bobbin Case Opener Lever Driving Screw Stud Nut .....
203101	---	Bobbin Case Opener Lever Driving Screw Stud Oil Packing (wick)...

No.	Plate	Name
223622	13232	Bobbin Case Opener Lever Hinge Stud with 202277 .....
202277	---	Bobbin Case Opener Lever Hinge Stud Oil Packing (wick) .....
200364c	14433	Bobbin Case Opener Lever Hinge Stud Set Screw .....
223623	13232	Bobbin Case Opener Lever Link ..
200118d	13232	" " " Screw .....
203214	14433	" " Tension Spring .....
200984c	14433	" " " " Regulat- ing Screw .....
200594c	13232	Bobbin Case Tension Spring Screw
203215	14433	" " Thread Guide .....
200594c	13232	" " " " Screw ..
203216	---	" " Washer (cloth) .....
236781	---	Bobbin Case complete, Nos. 203210 and 236780 .....
236791	14433	Edge Guide .....
236792	14433	" " Bracket .....
200469b	14433	" " " Thumb Screw .....
228032	14433	" " " " " Washer .....
200473b	13232	Edge Guide Thumb Screw .....
202603	14433	" " " " Washer .....
236793	---	Edge Guide complete, Nos. 200473b, 202603, 236791 and 236792 .....
236795	14435	Face Plate .....
202135	13232	" " Position Pin .....
200462b	13232	" " Thumb Screw .....
224050	14436	Feed Bar with 200336e and 201535e
224051	---	" " 224050 with 200189c, 224052 and 225837 .....
201223c	13232	Feed Bar Hinge Screw (driving) ..
201518e	13232	" " " " Nut .....
236907	14450	" Dog, for 236923 .....
236910	14452	" " " 236929 .....
200166e	13232	" " Screw (2) .....
200336e	13276	" " Support Screw .....
201535e	13232	" " " " Nut .....
224106	14434	" Driving Connection with 200049d and 202277 .....
201407c	14433	Feed Driving Connection Hinge Screw .....
201517d	13232	Feed Driving Connection Hinge Screw Nut .....
206758	---	Feed Driving Connection Hinge Screw Oil Packing (wick) .....
202277	---	Feed Driving Connection Oil Pack- ing (wick) .....

No.	Plate	Name
200049D	13232	Feed Driving Connection Pinch Screw .....
202300	14436	Feed Driving Eccentric Regulating Bracket .....
224140	—	Feed Driving Eccentric Regulating Bracket 202300 with 224200, two each 201408c and 201525e .....
201408c	14433	Feed Driving Eccentric Regulating Bracket Hinge Screw .....
201525e	14433	Feed Driving Eccentric Regulating Bracket Hinge Screw Nut .....
202301	14433	Feed Driving Eccentric Regulating Bracket Plunger .....
202595	14433	Feed Driving Eccentric Regulating Bracket Plunger Spring .....
200607c	14433	Feed Driving Eccentric Regulating Bracket Plunger Spring Stop Screw .....
201408c	14433	Feed Driving Eccentric Regulating Bracket Stop Screw .....
201525e	14433	Feed Driving Eccentric Regulating Bracket Stop Screw Nut .....
200429c	14433	Feed Driving Eccentric Regulating Screw .....
200383c	14433	Feed Driving Eccentric Regulating Screw Check Screw .....
223650	13213	Feed Driving Rock Shaft .....
223651	—	" " " " 223650 with 201223c, 201518e and 224051
224141	14433	Feed Driving Rock Shaft Crank with 200019e .....
200019e	14433	Feed Driving Rock Shaft Crank Pinch Screw .....
202625	14433	Feed Driving Rock Shaft Stop Collar with two 200383c (2) .....
200383c	14433	Feed Driving Rock Shaft Stop Collar Set Screw .....
224154	14437	Feed Lifting Cam with 201220c ...
224052	13276	" " " " Fork with 200173b and 223655 .....
200189c	13276	Feed Lifting Cam Fork Screw
225837	13276	" " " " " Washer .....
223655	—	Feed Lifting Cam Oiling Felt .....
200173D	13276	" " " " " Screw
201220c	13276	" " " " Set Screw .....
224151	14436	" Regulating Spindle with 202311, 202443, 202619 and 210554 .....

No.	Plate	Name
*202311	—	Feed Regulating Spindle Head ....
202443	13276	" " " " Pin
202619	13276	" " " " Position Pin .....
210554	13276	Feed Regulating Spindle Spring (flat) .....
*224016	—	Hook (sewing) .....
224115	14445	" 224016 with 224025, 224100, two each 200590u and 201253e ..
236931	—	Hook and Bobbin Case complete, Nos. 224115 and 236781 .....
224019	13225	Hook Bushing (lower) (bronze) ..
200364c	14433	" " " Set Screw ...
224020	13225	" " (upper) (bronze) ....
200446c	14437	" " " Position Screw
223867	13234	" Driving Gear (spiral) with 200362c and 201222a (2) .....
201222c	13234	Hook Driving Gear Position Screw
200362c	13234	" " " Set Screw ...
224021	13225	" " Pinion (spiral) with two 200382c .....
200382c	14436	Hook Driving Pinion Set Screw ..
224022	13225	" " " Thrust Washer
224110	14435	" " Shaft .....
224111	14436	" " " Bushing with 202244 .....
202244	—	Hook Driving Shaft Bushing Oil Packing (wick) .....
200327c	13201	Hook Driving Shaft Bushing Set Screw .....
224112	14436	Hook Driving Shaft Connection Belt Pulley with 202253 and two 201254c .....
201254c	14437	Hook Driving Shaft Connection Set Screw .....
202253	13276	Hook Driving Shaft Connection Belt Pulley Spring Flange .....
224100	14445	Hook Gib .....
201253e	13234	" " Screw .....
224023	14436	" Saddle (left) with 200009e, 200446c, 224019, 224020 and two 200364c .....
224024	14436	Hook Saddle (right) with 200009e, 200446c, 224019, 224020 and two 200364c .....
223680	14436	Hook Saddle Bearing (left) .....
200327c	13201	" " " " Set Screw
223681	14436	" " " (right) .....
200335c	13201	" " " " Set Screw

No.	Plate	Name
223682	14435	Hook Saddle Oil Guard .....
223814	---	" " " " Felt .....
200096D	13234	" " " " Screw (2) ..
200009E	13234	" " " " Pinch Screw .....
200006E	13234	" " " " Screw (2) .....
225585	13234	" " " " Washer (2) ....
236932	---	Hook Saddle (left) complete, Nos. 200118D, 223622, 223623, 224004, 224005, 224021 to 224023 and 236931 .....
236933	---	Hook Saddle (right) complete, Nos. 200118D, 223622, 223623, 224004, 224005, 224021, 224022, 224024 and 236931 .....
224025	13225	Hook Washer .....
200590H	14437	" " " " Screw .....
208490	14438	Knee Lifter Connection Lever ....
200238H	14437	" " " " " Hinge Screw .....
223684	14438	Knee Lifter Connection Lever Lift- ing Rod with 202302 .....
202302	13234	Knee Lifter Connection Lever Lift- ing Rod Cotter Pin .....
206628	14437	Knee Lifter Connection Lever Lift- ing Rod Spring .....
227227	14437	Knee Lifter Connection Lever Lift- ing Rod Spring Collar with 200113F .....
200113F	13276	Knee Lifter Connection Lever Lift- ing Rod Spring Collar Set Screw
223685	14438	Knee Lifter Lifting Lever .....
200262H	14437	" " " " " Hinge Screw .....
*236834	---	Needle Bar (left) .....
*236835	---	" " (right) .....
236836	---	" " 236835 with 236834 ...
236936	14438	Needle Bar complete, in gauges from $\frac{13}{32}$ to 1 in., in steps of $\frac{1}{32}$ in., Nos. 200959F, 236738, 236836, 236935 and two 350187D .....
236713	14438	Needle Bar Bushing (lower) .....
236799	14438	" " " (upper) .....
200352C	14437	" " " " Set Screw (2) ..
202552	13234	" " " " Connecting Link .....
236073	14437	" " " " " Oil Guard .....
201183D	14437	Needle Bar Connecting Link Oil Guard Screw .....
202333	14437	Needle Bar Connecting Link Stud with 202254 .....

No.	Plate	Name
202254	---	Needle Bar Connecting Link Stud Oil Packing (wick) .....
200374C	13234	Needle Bar Connecting Link Stud Set Screw .....
200383C	14433	Needle Bar Connecting Link Stud Set Screw .....
236715	14437	Needle Bar Connecting Stud with 202330 and two 200086C .....
202330	---	Needle Bar Connecting Stud Oil Packing (wick) .....
200086C	14437	Needle Bar Connecting Stud Pinch Screw .....
236800	14438	Needle Bar Crank with 200335C, 200374C, 200383C, 200428C and 202333 .....
236801	---	Needle Bar Crank 236800 with 202399, 202400, 202552, 223881 and 236715 .....
203172	14437	Needle Bar Crank Friction Washer
200428C	14437	" " " " Position Screw .
200335C	13201	" " " " Set Screw .....
236802	14435	" " " " Disengaging Bell Crank
204443	14437	" " " " " " Spring .....
203060	14437	Needle Bar Disengaging Bell Crank Spring Hook .....
236804	14437	Needle Bar Disengaging Bell Crank Stop Plate .....
200098E	14437	Needle Bar Disengaging Bell Crank Stop Plate Screw (2) .....
236806	14439	Needle Bar Disengaging Spring
200288H	14437	" " " " " Screw .....
236807	14437	Needle Bar Disengaging Trip Lever with 201356E, 350173C, 350174C and two 201537H .....
1478H	14437	Needle Bar Disengaging Trip Lever Hinge Screw .....
236808	14440	Needle Bar Disengaging Trip Lever Lock Lever .....
236785	14440	Needle Bar Disengaging Trip Lever Lock Lever Adjusting Block ...
200076D	14440	Needle Bar Disengaging Trip Lever Lock Lever Adjusting Block Screw .....
350176D	14440	Needle Bar Disengaging Trip Lever Lock Lever Adjusting Thumb Screw .....

No.	Plate	Name
236809	—	Needle Bar Disengaging Trip Lever Lock Lever complete, Nos. 200076D, 236785, 236808 and 350176D .....
1301c	14440	Needle Bar Disengaging Trip Lever Lock Lever Hinge Screw .....
204225	14440	Needle Bar Disengaging Trip Lever Lock Lever Spring .....
236723	14440	Needle Bar Disengaging Trip Lever Lock Lever Spring Plunger ....
350173c	14440	Needle Bar Disengaging Trip Lever Locking Screw Stud .....
201537H	14440	Needle Bar Disengaging Trip Lever Locking Screw Stud Nut .....
236724	14440	Needle Bar Disengaging Trip Lever Pitman .....
236725	—	Needle Bar Disengaging Trip Lever Pitman 236724 with 1697c, 1698c, 38446 and 250143 .....
*38444	—	Needle Bar Disengaging Trip Lever Pitman End Bearing (back) ....
38446	14440	Needle Bar Disengaging Trip Lever Pitman End Bearing 38444 with 42524, 50016c and two 187E ....
50016c	14440	Needle Bar Disengaging Trip Lever Pitman End Bearing (back) Ball Screw Stud .....
*42524	—	Needle Bar Disengaging Trip Lever Pitman End Bearing (back) Cap
187E	14440	Needle Bar Disengaging Trip Lever Pitman End Bearing (back) Cap Screw .....
1698c	14440	Needle Bar Disengaging Trip Lever Pitman End Bearing (back) Check Nut .....
*38443	—	Needle Bar Disengaging Trip Lever Pitman End Bearing (front) ....
250143	14440	Needle Bar Disengaging Trip Lever Pitman End Bearing 38443 with 42525, 201449c and two 187E ....
201449c	14440	Needle Bar Disengaging Trip Lever Pitman End Bearing (front) Ball Screw Stud .....
*42525	—	Needle Bar Disengaging Trip Lever Pitman End Bearing (front) Cap
187E	14440	Needle Bar Disengaging Trip Lever Pitman End Bearing (front) Cap Screw .....

No.	Plate	Name
1697c	14440	Needle Bar Disengaging Trip Lever Pitman End Bearing (front) Check Nut .....
236726	14440	Needle Bar Disengaging Trip Lever Unlocking Lever with 200444c and 201052c .....
200444c	14440	Needle Bar Disengaging Trip Lever Unlocking Lever Position Screw
201052c	14440	Needle Bar Disengaging Trip Lever Unlocking Lever Set Screw ....
236727	14440	Needle Bar Disengaging Trip Lever Unlocking Lever Shaft .....
236810	14440	Needle Bar Disengaging Trip Lever Spring .....
201356E	14440	Needle Bar Disengaging Trip Lever Spring Screw Stud (2) .....
200329c	14440	Needle Bar Disengaging Trip Lever Stop Screw .....
201533E	14440	Needle Bar Disengaging Trip Lever Stop Screw Nut .....
236840	14440	Needle Bar Locking Pin .....
236729	14440	" " " " Disengag- ing Lever .....
350191c	14440	Needle Bar Locking Pin Disengag- ing Lever Hinge Screw .....
236730	14441	Needle Bar Locking Pin Disengag- ing Lever Link .....
350188c	14441	Needle Bar Locking Pin Disengag- ing Lever Screw Stud .....
1520J	14441	Needle Bar Locking Pin Disengag- ing Lever Screw Stud Nut .....
236841	14441	Needle Bar Locking Pin Slide with 223847 .....
223847	—	Needle Bar Locking Pin Slide Oil Packing (wick) .....
236842	14441	Needle Bar Retaining Spring (flat)
200082D	10881	" " " " Screw (2) .....
24930	14441	Needle Bar Stop with 23548 .....
24931	14441	" " " Bracket with 191F
236811	14441	" " " " Bar .....
200958c	14441	" " " " " Set Screw .....
191F	14441	Needle Bar Stop Bracket Set Screw
24933	14441	" " " Collar with 175D..
175D	14441	" " " " Clamping Screw .....
23474	14441	Needle Bar Stop Collar Washer (rawhide) .....

No.	Plate	Name
23548	14441	Needle Bar Stop Plug (fibre) ....
25478	14441	" " " Spring .....
*236912	---	" Holder (left) with 200141F, for gauges from $\frac{11}{32}$ to 1 in., in steps of $\frac{1}{32}$ inch .....
350187D	14441	Needle Holder (left) Screw .....
236738	14441	" " " Thread Guide .....
*236913	---	" " (right) with 200141F, for gauges from $\frac{11}{32}$ to 1 in., in steps of $\frac{1}{32}$ inch .....
236935	---	Needle Holder 236913 with 236912, in gauges from $\frac{11}{32}$ to 1 in., in steps of $\frac{1}{32}$ inch .....
200959F	14441	Needle Holder (right) Screw .....
200141F	14445	" Set Screw .....
208566	14439	Presser Bar with 200074F .....
207072	14441	" " Bushing (2) .....
200352c	14437	" " " Set Screw (2) .....
208185	14441	" " Lifter .....
200653c	14441	" " " Hinge Screw ...
202340	13234	" " Lifting Releasing Lev- er Bracket .....
200260D	14442	Presser Bar Lifting Releasing Lev- er Bracket Guide Screw .....
202342	14442	Presser Bar Lifting Releasing Lev- er Bracket Spring (spiral) ....
235901	14442	Presser Bar Position Guide with 200054E .....
200054E	13201	Presser Bar Position Guide Pinch Screw .....
210948	14435	Presser Bar Spring (flat) .....
210949	14442	" " " Bracket with 200086c .....
200086c	14437	Presser Bar Spring Bracket Pinch Screw .....
201410F	14442	Presser Bar Spring Regulating Thumb Screw .....
200948F	14443	Presser Bar Spring Support Screw .....
236914	14452	" Foot, 46 needle hole, in gauges from $\frac{11}{32}$ to $\frac{1}{2}$ in., in steps of $\frac{1}{32}$ inch .....
236915	14452	Presser Foot, 46 needle hole, in gauges $\frac{11}{32}$ and $\frac{1}{2}$ inch .....
200074F	14442	Presser Foot Screw .....
236901	14445	Ratchet Wheel with 200389c and 200446c .....
236751	14442	Ratchet Wheel Driving Bell Crank .....
236752	14442	" " " Eccentric with 200382c and 200398c .....

No.	Plate	Name
236753	---	Ratchet Wheel Driving Eccentric 236752 with 1697c, 1698c, 200128E, 213740, 222023, 236754 and 236757
213740	14442	Ratchet Wheel Driving Eccentric Cap .....
200128E	14442	Ratchet Wheel Driving Eccentric Cap Screw .....
200398c	14442	Ratchet Wheel Driving Eccentric Position Screw .....
200382c	14436	Ratchet Wheel Driving Eccentric Set Screw .....
236754	14442	Ratchet Wheel Driving Eccentric Strap .....
1698c	14440	Ratchet Wheel Driving Eccentric Strap Check Nut .....
236812	14443	Ratchet Wheel Driving Pawl .....
200913F	14442	" " " " Hinge Screw .....
201526H	14442	Ratchet Wheel Driving Pawl Hinge Screw Nut .....
236756	14442	Ratchet Wheel Driving Pawl Spring .....
200126F	14433	" " " " " " Screw .....
236757	14443	Ratchet Wheel Driving Pitman ...
679c	14443	" " " " Ball Screw Stud .....
*38443	---	Ratchet Wheel Driving Pitman End Bearing .....
222023	14443	Ratchet Wheel Driving Pitman End Bearing 38443 with 679c, 42525 and two 187E .....
*42525	---	Ratchet Wheel Driving Pitman End Bearing Cap .....
187E	14440	Ratchet Wheel Driving Pitman End Bearing Cap Screw .....
1697c	14440	Ratchet Wheel Driving Pitman End Bearing Check Nut .....
200446c	14437	Ratchet Wheel Position Screw ....
236758	14443	" " Retaining Pawl .....
200244E	14443	" " " " Hinge Screw .....
236759	14443	Ratchet Wheel Retaining Pawl Spring .....
200118F	13232	Ratchet Wheel Retaining Pawl Spring Screw .....
350174c	14443	Ratchet Wheel Retaining Pawl Tripping Screw Stud .....
201537H	14440	Ratchet Wheel Retaining Pawl Tripping Screw Stud Nut .....

No.	Plate	Name
200389c	14443	Ratchet Wheel Set Screw .....
236760	14443	" " Spring .....
236902	14445	" " Stop .....
200089E	14443	" " " Screw .....
236762	14443	Stitch Index Finger .....
200161H	14443	" " " Screw .....
236903	14439	" " Plate (inner) .....
236904	14443	" " " Bushing ..
200958c	14441	" " " " Set Screw (2) .....
236765	14439	Stitch Index Plate (outer) .....
236766	14443	" " " " Spring ..
236813	14435	" " " Bracket with 200329c, 201356E, 201533E and three 200958c .....
201405E	14443	Stitch Index Plate Bracket Screw..
223881	14443	Take-up Lever .....
202399	14443	" " Driving Stud with 202277 .....
202277	---	Take-up Lever Driving Stud Oil Packing (wick) .....
202400	14443	Take-up Lever Hinge Stud with 202423 .....
202423	---	Take-up Lever Hinge Stud Oil Packing (wick) .....
200383c	14433	Take-up Lever Hinge Stud Set Screw .....
202401	---	Take-up Lever Oiling Felt .....
200132E	14443	" " " " Screw..
234086	14444	Tension Bracket with two each 200397H, 201224B and 236060 ...
200159B	14434	Tension Bracket Screw .....
234047	14443	" " " Socket .....
200368H	14443	" " " " Set Screw .....
236098	14443	Tension Bracket Thread Guide ....
200174H	14443	" " " " Screw
234087	---	Tension Bracket complete, Nos. 200174H, 200978H, 201199F, 223703, 223706, 223707, 234086, 236098, two each 13710, 200309E, 204059, 204271, 223704, three 201572B and four 202402 .....
202402	13234	Tension Disc .....
236060	14443	" " Position Pin .....
223703	14444	" Release Lever .....
234049	14444	" " " Rod .....
200309E	14444	" " " Screw .....
223704	14444	" " Plunger .....
204271	14444	" " Washer .....

No.	Plate	Name
13710	14444	Tension Spring .....
201224B	14444	" Stud .....
201572B	10881	" Thumb Nut .....
223706	14444	Thread Controller Disc .....
200978H	---	" " " Screw ....
223707	14444	" " Spring .....
234062	14444	" " " Stop .....
200132E	14443	" " " " Screw..
201199F	14444	" " Stud with 204925 ..
200061c	14444	" " " Set Screw ...
201572B	10881	" " " Thumb Nut ..
204925	14444	" " " Washer .....
224028	13225	" Guide .....
210954	14444	" " (lower) .....
200582H	13232	" " " Screw .....
210955	14445	" " (upper) .....
200582H	13232	" " " Screw (2) .....
223710	14445	" Retainer Bracket with 200397H
236934	14445	" " " Plate, for use on machines in gauges from $\frac{1}{8}$ to $\frac{3}{8}$ inch .....
200582H	13232	Thread Retainer Bracket Plate Screw (2), for use on machines in gauges from $\frac{1}{8}$ to $\frac{3}{8}$ inch ....
200582H	13232	Thread Retainer Bracket Screw (2)
200583H	14445	" " " " ...
202091	14444	" " Sleeve .....
210993	14444	" " " .....
202092	14444	" " Spring .....
223844	14444	" " " .....
204058	14444	" " Stud .....
210957	14444	" " " .....
210958	14444	" " " Collar .....
200397H	---	" " " Set Screw ....
200389c	14443	" " " " " .....
204059	---	Thread Retainer complete, Nos. 202091, 202092 and 204058 .....
223711	---	Thread Retainer (lower) complete, Nos. 210957, 210958, 210993, 223710 and 223844 .....
236923	14450	Throat Plate, 46 needle hole, for needle sizes 16 and 18, in gauges from $\frac{1}{2}$ to $\frac{5}{8}$ in., in steps of $\frac{1}{32}$ in., for 236907 .....
236929	14450	Throat Plate, 46 needle hole, for needle sizes 16 and 18, in 1 in. gauge, for 236910 .....
200161D	14443	Throat Plate Clamp Screw .....
202062	14444	" " Position Pin .....
691E	14444	" " Screw .....



**LIST OF PARTS COMPLETE**  
**FOR**  
**MACHINE No. 112w135**

For Two Row Stitching in Light and Medium Weight  
 Leather. Has Mechanism for Disengaging and  
 Automatically Re-engaging the Left  
 Hand Needle

In gauges from  $\frac{3}{16}$  to  $\frac{1}{4}$  inch

No.	Plate	Name
*236701	—	Arm with 202135 .....
202247	14434	" Cap .....
200278H	13201	" " Screw .....
202248	13201	" " " Washer .....
236702	14434	" Cover Plate .....
200126D	14433	" " " Screw .....
204235	13201	" Position Pin (2) .....
200004E	13201	" Screw (3) .....
202005	13201	" " Washer (3) .....
236703	14435	" Shaft with 200357E and 203100
237748	14434	" " Bushing (back) with 202299 .....
202299	—	Arm Shaft Bushing (back) Oil Packing (wick) .....
200071E	14433	Arm Shaft Bushing (back) Screw (3) .....
202245	14434	Arm Shaft Bushing (front) with 202036 and 202260 .....
202260	—	Arm Shaft Bushing (front) Oil Packing (wick) .....
200502B	13201	Arm Shaft Bushing (front) Oil Packing Thumb Screw .....
202036	13201	Arm Shaft Bushing (front) Position Pin .....
200341C	13232	Arm Shaft Bushing (front) Set Screw .....
224103	14435	Arm Shaft Connection Belt .....
224200	13276	" " " " Pulley with 200327c, 200602E and two 202253 .....
200602E	13276	Arm Shaft Connection Belt Pulley Position Screw .....

No.	Plate	Name
200327c	13201	Arm Shaft Connection Belt Pulley Set Screw .....
202253	13276	Arm Shaft Connection Belt Pulley Spring Flange .....
224138	14433	Arm Shaft Connection Belt Timing Collar with 200113F .....
200113F	13276	Arm Shaft Connection Belt Timing Collar Set Screw .....
224139	14434	Arm Shaft Connection Belt Timing Plate .....
200164B	13276	Arm Shaft Connection Belt Timing Plate Screw (2) .....
203100	—	Arm Shaft Oil Packing (wick) ...
200357E	13201	" " " " Stop Screw
224144	14434	Attachment Slide Plate with 213479 and 236061 .....
236061	13276	Attachment Slide Plate Friction Slide .....
213479	14433	Attachment Slide Plate Friction Slide Spring .....
235806	14435	Balance Wheel (belt groove $2\frac{1}{2}$ in. diam.) with 200328c and 200335c
200328c	13201	Balance Wheel Position Screw ...
200335c	13201	" " Set Screw .....
*224105	—	Bed with 202062 .....
202258	13201	" Hinge Connection (2) .....
200570E	13232	" " " Screw (4) ...
54897	13276	" Oil Cup .....
236794	14434	" Slide (back) .....
223811	13276	" " " Stop .....
223812	13276	" " " " Spring .....
223853	14434	" " (front) .....
203208	14433	Bobbin (2) .....
203210	14433	" Case Base with 202056, 203211 to 203213 and 203216 .....
203211	14433	Bobbin Case Base Latch .....
*202056	—	" " " " Pin .....
203212	14433	" " " " Plunger ...
203213	14433	" " " " Spring ...
236780	14433	" " Cap with 200984c, 203214, 203215 and two 200594c...
224004	13225	Bobbin Case Opener .....
224005	13225	" " " Lever with 201349c, 201542c and 203101 ...
201349c	13232	Bobbin Case Opener Lever Driving Screw Stud .....
201542c	13232	Bobbin Case Opener Lever Driving Screw Stud Nut .....
203101	—	Bobbin Case Opener Lever Driving Screw Stud Oil Packing (wick)...

From the library of: Diamond Needle Corp

No.	Plate	Name
223622	13232	Bobbin Case Opener Lever Hinge Stud with 202277 .....
202277	----	Bobbin Case Opener Lever Hinge Stud Oil Packing (wick) .....
200564c	14433	Bobbin Case Opener Lever Hinge Stud Set Screw .....
223623	13232	Bobbin Case Opener Lever Link ..
200118d	13232	" " " Screw .....
203214	14433	" " Tension Spring .....
200984c	14433	" " " " Regulat- ing Screw .....
200594c	13232	Bobbin Case Tension Spring Screw
203215	14433	" " Thread Guide .....
200594c	13232	" " " " Screw ..
203216	----	" " Washer (cloth) .....
236781	----	Bobbin Case complete, Nos. 203210 and 236780 .....
236795	14435	Face Plate .....
202135	13232	" " Position Pin .....
200462b	13232	" " Thumb Screw .....
224050	14436	Feed Bar with 200336E and 201535E
224051	----	" " 224050 with 200189c, 224052 and 225837 .....
201223c	13232	Feed Bar Hinge Screw (driving) ..
201518E	13232	" " " " Nut .....
211805	14451	" Dog, for 236969 .....
212117	14451	" " " 236964 .....
212148	14451	" " " 236967 .....
212154	14451	" " " 236968 .....
236706	14451	" " " 236770 .....
236707	14450	" " " 236770 .....
200106E	13232	" " Screw (2) .....
200336E	13276	" " Support Screw .....
201535E	13232	" " " " Nut .....
224106	14434	" Driving Connection with 200049d and 202277 .....
201407c	14433	Feed Driving Connection Hinge Screw .....
201517d	13232	Feed Driving Connection Hinge Screw Nut .....
206758	----	Feed Driving Connection Hinge Screw Oil Packing (wick) .....
202277	----	Feed Driving Connection Oil Pack- ing (wick) .....
200049d	13232	Feed Driving Connection Pinch Screw .....
202300	14436	Feed Driving Eccentric Regulating Bracket .....

No.	Plate	Name
224140	----	Feed Driving Eccentric Regulating Bracket 202300 with 224200, two each 201408c and 201525E .....
201408c	14433	Feed Driving Eccentric Regulating Bracket Hinge Screw .....
201525E	14433	Feed Driving Eccentric Regulating Bracket Hinge Screw Nut .....
202301	14433	Feed Driving Eccentric Regulating Bracket Plunger .....
202595	14433	Feed Driving Eccentric Regulating Bracket Plunger Spring .....
200607c	14433	Feed Driving Eccentric Regulating Bracket Plunger Spring Stop Screw .....
201408c	14433	Feed Driving Eccentric Regulating Bracket Stop Screw .....
201525E	14433	Feed Driving Eccentric Regulating Bracket Stop Screw Nut .....
200429c	14433	Feed Driving Eccentric Regulating Screw .....
200383c	14433	Feed Driving Eccentric Regulating Screw Check Screw .....
223650	13213	Feed Driving Rock Shaft .....
223651	----	" " " " 223650 with 201223c, 201518E and 224051 ..
224141	14433	Feed Driving Rock Shaft Crank with 200019E .....
200019E	14433	Feed Driving Rock Shaft Crank Pinch Screw .....
202625	14433	Feed Driving Rock Shaft Stop Col- lar with two 200383c (2) .....
200383c	14433	Feed Driving Rock Shaft Stop Col- lar Set Screw .....
224154	14437	Feed Lifting Cam with 201220c ..
224052	13276	" " " Fork with 200173d and 223655 .....
200189c	13276	Feed Lifting Cam Fork Screw
225837	13276	" " " " " Washer .....
223655	----	Feed Lifting Cam Oiling Felt .....
200173d	13276	" " " " " Screw
201220c	13276	" " " Set Screw .....
224151	14436	" Regulating Spindle with 202311, 202443, 202619 and 210554 .....
*202311	----	Feed Regulating Spindle Head .....
202443	13276	" " " " Pin
202619	13276	" " " " Posi- tion Pin .....
210554	13276	Feed Regulating Spindle Spring (flat) .....

No.	Plate	Name
*224016	----	Hook (sewing) .....
224017	13225	" 224016 with 203525, 224025, two each 200590n and 201253F .....
236782	----	Hook and Bobbin Case complete, Nos. 224017 and 236781 .....
224019	13225	Hook Bushing (lower) (bronze) ..
200364c	14433	" " " Set Screw ...
224020	13225	" " (upper) (bronze) ....
200446c	14437	" " " Position Screw
223867	13234	" Driving Gear (spiral) with 200362c and 201222c (2) .....
201222c	13234	Hook Driving Gear Position Screw
200362c	13234	" " " Set Screw ....
224021	13225	" " Pinion (spiral) with two 200382c .....
200382c	14436	Hook Driving Pinion Set Screw ..
224022	13225	" " " Thrust Washer
224110	14435	" " Shaft .....
224111	14436	" " " Bushing with 202244 .....
202244	----	Hook Driving Shaft Bushing Oil Packing (wick) .....
200327c	13201	Hook Driving Shaft Bushing Set Screw .....
224112	14436	Hook Driving Shaft Connection Belt Pulley with 202253 and two 201254c .....
201254c	14437	Hook Driving Shaft Connection Belt Pulley Set Screw .....
202253	13276	Hook Driving Shaft Connection Belt Pulley Spring Flange .....
203525	13234	Hook Gib .....
201253F	13234	" " Screw .....
224023	14436	" Saddle (left) with 200009E, 200446c, 224019, 224020 and two 200364c .....
224024	14436	Hook Saddle (right) with 200009E, 200446c, 224019, 224020 and two 200364c .....
223680	14436	Hook Saddle Bearing (left) .....
200327c	13201	" " " " Set Screw .....
223681	14436	Hook Saddle Bearing (right) .....
200335c	13201	" " " " Set Screw .....
223682	14435	Hook Saddle Oil Guard .....
223814	----	" " " " Felt .....
200096D	13234	" " " " Screw (2) ..
200009E	13234	" " Pinch Screw .....

No.	Plate	Name
200006E	13234	Hook Saddle Screw (2) .....
225585	13234	" " " Washer (2) ...
236783	----	Hook Saddle (left) complete, Nos. 200118D, 223622, 223623, 224004, 224005, 224021 to 224023 and 236782 .....
236784	----	Hook Saddle (right) complete, Nos. 200118D, 223622, 223623, 224004, 224005, 224021, 224022, 224024 and 236782 .....
224025	13225	Hook Washer .....
200590n	14437	" " Screw .....
208490	14438	Knee Lifter Connection Lever .....
200238n	14437	" " " " Hinge Screw .....
223684	14438	Knee Lifter Connection Lever Lift- ing Rod with 202302 .....
202302	13234	Knee Lifter Connection Lever Lift- ing Rod Cotter Pin .....
206628	14437	Knee Lifter Connection Lever Lift- ing Rod Spring .....
227227	14437	Knee Lifter Connection Lever Lift- ing Rod Spring Collar with 200113F .....
200113F	13276	Knee Lifter Connection Lever Lift- ing Rod Spring Collar Set Screw
223685	14438	Knee Lifter Lifting Lever .....
200262n	14437	" " " " Hinge .. Screw .....
*236834	----	Needle Bar (left) .....
*236835	----	" " (right) .....
236836	----	" " 236835 with 236834 ...
236971	14438	Needle Bar complete, in gauges from $\frac{3}{32}$ to $\frac{1}{4}$ in., in steps of $\frac{1}{32}$ in., Nos. 200959F, 236836, 236953, 236970 and two 350189D .....
236713	14438	Needle Bar Bushing (lower) .....
236799	14438	" " " (upper) .....
200352c	14437	" " " Set Screw (2) ..
202552	13234	" " Connecting Link .....
236073	14437	" " " " Oil Guard .....
201183D	14437	Needle Bar Connecting Link Oil Guard Screw .....
202333	14437	Needle Bar Connecting Link Stud with 202254 .....
202254	----	Needle Bar Connecting Link Stud Oil Packing (wick) .....
200374c	13234	Needle Bar Connecting Link Stud Set Screw .....

No.	Plate	Name
200383c	14433	Needle Bar Connecting Link Stud Set Screw .....
236715	14437	Needle Bar Connecting Stud with 202330 and two 200086c .....
202330	—	Needle Bar Connecting Stud Oil Packing (wick) .....
200086c	14437	Needle Bar Connecting Stud Pinch Screw .....
236800	14438	Needle Bar Crank with 200335c, 200374c, 200383c, 200428c and 202333 .....
236801	—	Needle Bar Crank 236800 with 202399, 202400, 202552, 223881 and 236715 .....
203172	14437	Needle Bar Crank Friction Washer
200428c	14437	" " " Position Screw ..
200335c	13201	" " " Set Screw .....
236802	14435	" " Disengaging Bell Crank
204443	14437	" " " " " " Spring .....
203060	14437	Needle Bar Disengaging Bell Crank Spring Hook .....
236804	14437	Needle Bar Disengaging Bell Crank Stop Plate .....
200098E	14437	Needle Bar Disengaging Bell Crank Stop Plate Screw (2) .....
236807	14437	Needle Bar Disengaging Trip Lever with 201356E, 350173c, 350174c and two 201537u .....
1478u	14437	Needle Bar Disengaging Trip Lever Hinge Screw .....
236808	14440	Needle Bar Disengaging Trip Lever Lock Lever .....
236785	14440	Needle Bar Disengaging Trip Lever Lock Lever Adjusting Block ...
200076D	14440	Needle Bar Disengaging Trip Lever Lock Lever Adjusting Block Screw .....
350176D	14440	Needle Bar Disengaging Trip Lever Lock Lever Adjusting Thumb Screw .....
236809	—	Needle Bar Disengaging Trip Lever Lock Lever complete, Nos. 200076D, 236785, 236808 and 350176D .....
1301c	14440	Needle Bar Disengaging Trip Lever Lock Lever Hinge Screw .....
204225	14440	Needle Bar Disengaging Trip Lever Lock Lever Spring .....

No.	Plate	Name
236723	14440	Needle Bar Disengaging Trip Lever Lock Lever Spring Plunger ....
350173c	14440	Needle Bar Disengaging Trip Lever Locking Screw Stud .....
201537u	14440	Needle Bar Disengaging Trip Lever Locking Screw Stud Nut .....
236724	14440	Needle Bar Disengaging Trip Lever Pitman .....
236725	—	Needle Bar Disengaging Trip Lever Pitman 236724 with 1697c, 1698c, 38446 and 250143 .....
*38444	—	Needle Bar Disengaging Trip Lever Pitman End Bearing (back) ...
38446	14440	Needle Bar Disengaging Trip Lever Pitman End Bearing 38444 with 42524, 50016c and two 187E ....
50016c	14440	Needle Bar Disengaging Trip Lever Pitman End Bearing (back) Ball Screw Stud .....
*42524	—	Needle Bar Disengaging Trip Lever Pitman End Bearing (back) Cap
187E	14440	Needle Bar Disengaging Trip Lever Pitman End Bearing (back) Cap Screw .....
1698c	14440	Needle Bar Disengaging Trip Lever Pitman End Bearing (back) Check Nut .....
*38443	—	Needle Bar Disengaging Trip Lever Pitman End Bearing (front) ....
250143	14440	Needle Bar Disengaging Trip Lever Pitman End Bearing 38443 with 42525, 201449c and two 187E ....
201449c	14440	Needle Bar Disengaging Trip Lever Pitman End Bearing (front) Ball Screw Stud .....
*42525	—	Needle Bar Disengaging Trip Lever Pitman End Bearing (front) Cap
187E	14440	Needle Bar Disengaging Trip Lever Pitman End Bearing (front) Cap Screw .....
1697c	14440	Needle Bar Disengaging Trip Lever Pitman End Bearing (front) Check Nut .....
236726	14440	Needle Bar Disengaging Trip Lever Unlocking Lever with 200444c and 201052c .....
200444c	14440	Needle Bar Disengaging Trip Lever Unlocking Lever Position Screw
201052c	14440	Needle Bar Disengaging Trip Lever Unlocking Lever Set Screw ....

No.	Plate	Name
236727	14440	Needle Bar Disengaging Trip Lever Unlocking Lever Shaft .....
236810	14440	Needle Bar Disengaging Trip Lever Spring .....
201356E	14440	Needle Bar Disengaging Trip Lever Spring Screw Stud (2) .....
200329C	14440	Needle Bar Disengaging Trip Lever Stop Screw .....
201533E	14440	Needle Bar Disengaging Trip Lever Stop Screw Nut .....
236840	14440	Needle Bar Locking Pin .....
236729	14440	" " " " Disengag- ing Lever .....
350191C	14440	Needle Bar Locking Pin Disengag- ing Lever Hinge Screw .....
236730	14441	Needle Bar Locking Pin Disengag- ing Lever Link .....
350188C	14441	Needle Bar Locking Pin Disengag- ing Lever Screw Stud .....
1520D	14441	Needle Bar Locking Pin Disengag- ing Lever Screw Stud Nut .....
236841	14441	Needle Bar Locking Pin Slide with 223847 .....
223847	---	Needle Bar Locking Pin Slide Oil Packing (wick) .....
236842	14441	Needle Bar Retaining Spring (flat) .....
200082D	10881	Needle Bar Retaining Spring Screw (2) .....
24930	14441	Needle Bar Stop with 23548 .....
24931	14441	" " " Bracket with 191F .....
236811	14441	" " " " Bar .....
200958C	14441	" " " " " Set Screw .....
191F	14441	Needle Bar Stop Bracket Set Screw .....
24933	14441	Needle Bar Stop Collar with 175D .....
175D	14441	" " " " Clamping Screw .....
23474	14441	Needle Bar Stop Collar Washer (rawhide) .....
23548	14441	Needle Bar Stop Plug (fibre) .....
25478	14441	" " " Spring .....
*236952	---	" Holder (left) with 200389C, for gauges from $\frac{3}{16}$ to $\frac{1}{4}$ in. in steps of $\frac{1}{32}$ inch .....
350189D	14445	Needle Holder (left) Screw .....
236953	14445	" " " Thread Guide .....

No.	Plate	Name
*235954	---	Needle Holder (right) with 200125F, for gauges from $\frac{3}{16}$ to $\frac{1}{4}$ in. in steps of $\frac{1}{32}$ inch .....
236970	---	Needle Holder 236954 with 236952, in gauges from $\frac{3}{16}$ to $\frac{1}{4}$ in. in steps of $\frac{1}{32}$ inch .....
200959E	14441	Needle Holder (right) Screw .....
200389C	14443	" Set Screw (left) .....
200125F	14441	" " " (right) .....
207072	14441	Presser Bar Bushing (2) .....
200352C	14437	" " " Set Screw (2) .....
203185	14441	" " Lifter .....
200653C	14441	" " " Hinge Screw .....
202340	13234	" " Lifting Releasing Lev- er Bracket .....
200260D	14442	Presser Bar Lifting Releasing Lev- er Bracket Guide Screw .....
202342	14442	Presser Bar Lifting Releasing Lev- er Bracket Spring (spiral) .....
235901	14442	Presser Bar Position Guide with 200054E .....
200054E	13201	Presser Bar Position Guide Pinch Screw .....
210948	14435	Presser Bar Spring (flat) .....
210949	14442	" " " Bracket with 200086C .....
200086C	14437	Presser Bar Spring Bracket Pinch Screw .....
201410E	14442	Presser Bar Spring Regulating Thumb Screw .....
200948E	14443	Presser Bar Spring Support Screw .....
236750	14442	Ratchet Wheel with 200389C and 200446C .....
236751	14442	Ratchet Wheel Driving Bell Crank .....
236752	14442	" " " Eccentric with 200382C and 200398C .....
236753	---	Ratchet Wheel Driving Eccentric 236752 with 1697C, 1698C, 200128E, 213740, 222023, 236754 and 236757 .....
213740	14442	Ratchet Wheel Driving Eccentric Cap .....
200128E	14442	Ratchet Wheel Driving Eccentric Cap Screw .....
200398C	14442	Ratchet Wheel Driving Eccentric Position Screw .....
200382C	14436	Ratchet Wheel Driving Eccentric Set Screw .....
236754	14442	Ratchet Wheel Driving Eccentric Strap .....

No.	Plate	Name
1698c	14440	Ratchet Wheel Driving Eccentric Strap Check Nut .....
236812	14443	Ratchet Wheel Driving Pawl .....
200913F	14442	" " " " Hinge Screw .....
201526H	14442	Ratchet Wheel Driving Pawl Hinge Screw Nut .....
236756	14442	Ratchet Wheel Driving Pawl Spring
200126F	14433	" " " " " Screw .....
236757	14443	Ratchet Wheel Driving Pitman ...
679c	14443	" " " " Ball Screw Stud .....
*38443	—	Ratchet Wheel Driving Pitman End Bearing .....
222023	14443	Ratchet Wheel Driving Pitman End Bearing 38443 with 679c, 42525 and two 187E .....
*42525	—	Ratchet Wheel Driving Pitman End Bearing Cap .....
187E	14440	Ratchet Wheel Driving Pitman End Bearing Cap Screw .....
1697c	14440	Ratchet Wheel Driving Pitman End Bearing Check Nut .....
200446c	14437	Ratchet Wheel Position Screw ....
236758	14443	" " Retaining Pawl .....
200244E	14443	" " " " Hinge Screw .....
236759	14443	Ratchet Wheel Retaining Pawl Spring .....
200118F	13232	Ratchet Wheel Retaining Pawl Spring Screw .....
350174c	14443	Ratchet Wheel Retaining Pawl Tripping Screw Stud .....
201537H	14440	Ratchet Wheel Retaining Pawl Tripping Screw Stud Nut .....
200389c	14443	Ratchet Wheel Set Screw .....
236760	14443	" " Spring .....
201229c	14443	" " Stop Screw .....
236761	14443	" " " " Bracket with 201229c and 201537H .....
200089E	14443	Ratchet Wheel Stop Screw Bracket Screw .....
201537H	14440	Ratchet Wheel Stop Screw Nut ..
201931	—	Roller Presser, 1½ in. diam., ½ in. face (fine) .....
201932	14446	Roller Presser 201931 with 1528J, 1766c, 50553c and twenty-four 16232 .....

No.	Plate	Name
203426	14446	Roller Presser Arm .....
203430	—	" " " 203426 with 201932 .....
229341	14446	Roller Presser Arm Bracket (swing)
200675c	14446	" " " " Position Screw Stud .....
202558	14446	Roller Presser Arm Bracket Spring
229370	14446	" " " " " Stop and Back Needle Guard Holder .....
229371	—	Roller Presser Arm Bracket Spring Stop and Back Needle Guard Holder 229370 with 200350H, 201317E and 226220 .....
200350H	14446	Roller Presser Arm Bracket Spring Stop and Back Needle Guard Holder Adjusting Screw .....
200141F	14445	Roller Presser Arm Bracket Spring Stop and Back Needle Guard Holder Set Screw .....
200077D	14446	Roller Presser Arm Screw, for gauges ⅜ and ⅝ inch .....
200082D	10881	Roller Presser Arm Screw, for gauges ⅜ and ⅝ inch .....
200064D	14446	Roller Presser Arm Screw, for ¼ in. gauge .....
229744	14446	Roller Presser Arm Shim, ⅜ in. thick .....
229745	14446	Roller Presser Arm Shim, ⅜ in. thick .....
202760	14446	Roller Presser Arm Shim, ⅜ in. thick .....
16232	—	Roller Presser Ball, ⅜ in. diameter
1766c	14446	" " " Cone .....
204495	14439	" " Bar .....
50553c	14446	" " Hinge Screw .....
1528J	14446	" " " " Nut .....
229330	14446	" " Needle Guard (back), in ⅝ in. gauge .....
229331	14446	Roller Presser Needle Guard (back), in ⅝ in. gauge .....
229332	14446	Roller Presser Needle Guard (back), in ⅝ in. gauge .....
229347	14446	Roller Presser Needle Guard (back), in ⅝ in. gauge, with 350061F ..
229334	14446	Roller Presser Needle Guard (back), in ⅝ in. gauge, with 350061F ..
229335	14446	Roller Presser Needle Guard (back), in ¼ in. gauge, with 350061F ...

No.	Plate	Name
201317F	14446	Roller Presser Needle Guard (back) Clamp Screw .....
226220	14446	Roller Presser Needle Guard (back) Clamp Screw Washer .....
250061F	14446	Roller Presser Needle Guard (back) Screw .....
236652	---	Roller Presser and Bar complete, in $\frac{3}{8}$ in. gauge, Nos. 200082D, 200675C, 202558, 203430, 204495, 229330, 229341, 229371, 229744, 229745 and two 200141F .....
236653	---	Roller Presser and Bar complete, in $\frac{1}{2}$ in. gauge, Nos. 200082D, 200675C, 202558, 202760, 203430, 204495, 229331, 229341, 229371 and two 200141F .....
236654	14439	Roller Presser and Bar complete, in $\frac{5}{8}$ in. gauge, Nos. 200077D, 200675C, 202558, 202760, 203430, 204495, 229332, 229341, 229371, 229744 and two 200141F .....
236655	---	Roller Presser and Bar complete, in $\frac{3}{4}$ in. gauge, Nos. 200077D, 200675C, 202558, 202760, 203430, 204495, 229341, 229347, 229371, 229745 and two 200141F .....
236656	---	Roller Presser and Bar complete, in $\frac{7}{8}$ in. gauge, Nos. 200077D, 200675C, 202558, 202760, 203430, 204495, 229334, 229341, 229371, 229744, 229745 and two 200141F ..
236657	---	Roller Presser and Bar complete, in $\frac{1}{2}$ in. gauge, Nos. 200064D, 200675C, 202558, 203430, 204495, 229335, 229341, 229371, two each 200141F and 202760 .....
236762	14443	Stitch Index Finger .....
200161H	14443	" " " Screw .....
236763	14439	" " Plate (inner) .....
236904	14443	" " " " Bushing ..
200958C	14441	" " " " " Set Screw (2) .....
236765	14439	Stitch Index Plate (outer) .....
236766	14443	" " " " Spring ..
236813	14435	" " " Bracket with 200329C, 201356E, 201533E and three 200958C .....
201405E	14443	Stitch Index Plate Bracket Screw

No.	Plate	Name
223881	14443	Take-up Lever .....
202399	14443	" " Driving Stud with 202277 .....
202277	---	Take-up Lever Driving Stud Oil Packing (wick) .....
202400	14443	Take-up Lever Hinge Stud with 202423 .....
202423	---	Take-up Lever Hinge Stud Oil Packing (wick) .....
200383C	14433	Take-up Lever Hinge Stud Set Screw .....
202401	---	Take-up Lever Oiling Felt .....
200132E	14443	" " " " Screw
234086	14444	Tension Bracket with two each 200397H, 201224B and 236060 ...
200159H	14434	Tension Bracket Screw .....
234047	14443	" " " Socket ...
200368H	14443	" " " " Set Screw .....
236098	14443	Tension Bracket Thread Guide ...
200174H	14443	" " " " Screw
234087	---	Tension Bracket complete, Nos. 200174H, 200978H, 201199F, 223703, 223706, 223707, 234086, 236098, two each 13710, 200309E, 204059, 204271, 223704, three 201572B and four 202402 .....
202402	13234	Tension Disc .....
236060	14443	" " Position Pin .....
223703	14444	" Release Lever .....
234049	14444	" " " Rod .....
200309E	14444	" " " Screw .....
223704	14444	" " Plunger .....
204271	14444	" " Washer .....
13710	14444	" Spring .....
201224B	14444	" Stud .....
201572B	10881	" Thumb Nut .....
223706	14444	Thread Controller Disc .....
200978H	---	" " " Screw ...
223707	14444	" " Spring .....
234062	14444	" " " Stop .....
200132E	14443	" " " " Screw ..
201199F	14444	" " Stud with 204925 ..
200061C	14444	" " Set Screw ...
201572B	10881	" " " Thumb Nut ..
204925	14444	" " " Washer .....
224028	13225	" Guide .....
210954	14444	" " (lower) .....
200582H	13232	" " " Screw .....
202741	14444	" " (upper) .....

No.	Plate	Name
200397H	—	Thread Guide (upper) Set Screw ..
236955	—	“ Lubricating Cup with 200059c and 201280c .....
236957	—	Thread Lubricating Cup Oil Pad (front) .....
236959	—	Thread Lubricating Cup Oil Pad (upper) Reinforcing Plate .....
201280c	14445	Thread Lubricating Cup Oil Pad (upper) Tension Screw Stud ...
222712	14445	Thread Lubricating Cup Oil Pad (upper) Tension Spring .....
201572B	10881	Thread Lubricating Cup Oil Pad (upper) Tension Thumb Nut ..
236961	14439	Thread Lubricating Cup Oil Pad (upper) complete, Nos. 236957 and 236959 .....
200059c	14449	Thread Lubricating Cup Set Screw
236962	14445	“ “ “ Thread Guide .....
236963	14439	Thread Lubricating Cup complete, Nos. 201572B, 222712, 236955, 236961, 236962 and three 236957
210956	14444	Thread Retainer Bracket with 200397H .....
200582H	13232	Thread Retainer Bracket Screw (2)
202091	14444	“ “ Sleeve .....
210993	14444	“ “ “ .....
202092	14444	“ “ Spring .....
223844	14444	“ “ “ .....
204058	14444	“ “ Stud .....
210957	14444	“ “ “ .....
210958	14444	“ “ “ Collar .....
200397H	—	“ “ “ Set Screw ....
200389c	14443	“ “ “ “ “ .....
204059	—	Thread Retainer complete, Nos. 202091, 202092 and 204058 .....
210959	—	Thread Retainer (lower) complete, Nos. 210956 to 210958, 210993 and 223844 .....
236964	14451	Throat Plate, 50 needle hole, for needle sizes 14 and 15, in $\frac{5}{16}$ in. gauge, for 212117 .....
236770	14459	Throat Plate, 50 needle hole, for needle sizes 14 and 15, in gauges $\frac{1}{8}$ and $\frac{3}{16}$ in., for 236706 and 236707
236967	14451	Throat Plate, 50 needle hole, for needle sizes 14 and 15, in $\frac{1}{8}$ in. gauge, for 212148 .....

No.	Plate	Name
236968	14451	Throat Plate, 50 needle hole, for needle sizes 14 and 15, in $\frac{5}{16}$ in. gauge, for 212154 .....
236969	14451	Throat Plate, 50 needle hole, for needle sizes 14 and 15, in $\frac{1}{4}$ in. gauge, for 211805 .....
200161D	14443	Throat Plate Clamp Screw .....
202062	14444	“ “ Position Pin .....
691F	14444	“ “ Screw .....



## ACCESSORIES

FOR MACHINES NOS. 112w130 AND 112w131

No.	Plate	Name
200157B	14447	Attachment Screw .....
203208	14433	Bobbin (10) .....
*225482	—	" Case Screw Driver Blade ..
*225483	—	" " " " Handle ..
225497	14383	Bobbin Case Screw Driver complete, Nos. 225482 and 225483 ..
135 x7	—	Needles, twelve, size 14 .....
224121	—	Drip Pan, 20 in. long, with four 1 in. wire nails .....
41400	14383	Machine Rest Pin (wood) .....
120342	14383	Oiler (copper plated) with 120343 .....
120343	14383	" Spout, 3½ in. long .....
*225484	—	Screw Driver Blade .....
*225485	—	" " Handle .....
225498	14383	Screw Driver complete (7½ in. long), Nos. 225484 and 225485 ..
225554	14383	Wrench (steel) .....

### BOBBIN WINDER

#### Swing Automatic, Right Hand

225453	10884	Frame with 202277 and 225438 .....
225454	10884	" Hinge Pin .....
202277	—	" Oil Packing (wick) .....
225438	10884	" " Well Cap .....
225455	10884	" Spring .....
225456	10884	" " Plunger .....
202473	10885	Pulley with 200380c .....
200380c	14447	" Set Screw .....
225381	10884	Spindle .....
225444	10884	Stop Latch .....
200056E	10884	" " Screw .....
225458	10884	" " Thumb Lever .....
225459	10884	" " " " Hinge Stud .....
225460	10884	" " " " Joint Stud .....
202478	10884	" " Trip Lever .....
200299H	10884	" " " " Hinge Screw .....
225461	10881	Tension Bracket with 201499B .....
200082D	10881	" " Screw .....
228026	10884	" " " Washer .....
2102	10881	" Disc .....

No.	Plate	Name
202407	10881	Tension Spring .....
201499B	10881	" Stud .....
201572B	10881	" " Thumb Nut .....
225462	10881	Bobbin Winder Tension Bracket complete, Nos. 201572B, 202407, 225461 and two 2102 .....
225433	10885	Bobbin Winder and Tension Bracket Base .....
225382	10885	Universal Bobbin Winder complete, Nos. 200056E, 200082D, 200299H, 202473, 202478, 225381, 225433, 225444, 225453 to 225456, 225458 to 225460, 225462, 228026 and two wood screws ¾ in., No. 12, R.H.B.

### KNEE LIFTER

202450	13213	Knee Lifter Rock Lever with 200522c and 200529c .....
202185	—	Knee Lifter Rock Lever 202450 with two each 202451 and 202452 .....
223763	13213	Knee Lifter Rock Lever 202185 with 202203 and 227728 .....
202453	13213	Knee Lifter Rock Lever Knee Plate with 200526c .....
202203	—	Knee Lifter Rock Lever Knee Plate 202453 with 202454 .....
202454	13213	Knee Lifter Rock Lever Knee Plate Arm (long) .....
200522c	14447	Knee Lifter Rock Lever Knee Plate Arm Set Screw .....
200526c	14447	Knee Lifter Rock Lever Knee Plate Set Screw .....
202451	13213	Knee Lifter Rock Lever Lug with two wood screws ½ in., No. 12u .....
202452	13213	Knee Lifter Rock Lever Lug Hinge Pin .....
227728	13213	Knee Lifter Rock Lever Rod, 3 in. long, with 227729 .....
*227729	—	Knee Lifter Rock Lever Rod Cap or Oil Guard .....
200529c	14447	Knee Lifter Rock Lever Rod Set Screw .....

(Other Knee Lifter parts are listed with parts of machine head.)

## THREAD UNWINDER

No.	Plate	Name
225389	14083	Spool Rest (for one spool) with 201018c .....
225395	14083	Spool Rest (for two spools) with 201018c .....
225388	14083	Spool Rest Rod .....
200383c	14433	" " " Set Screw .....
201018c	14447	" " " Set Screw .....
202490	14083	" Stand with 200383c .....
225391	14083	Thread Guide .....
201696j	14447	" " Lock Nut .....
225392	14083	" " Rod with 208E and 225393 .....
208E	14447	Thread Guide Rod Screw .....
225393	14447	" " " Washer .....
225397	14083	Thread Unwinder (for three spools) complete, Nos. 201696j, 202490, 225388, 225389, 225392, 225395, three each 225391 and wood screw $\frac{3}{8}$ in., No. 12 .....

## TREADLE AND CHAIN GUIDE

39571	14448	Needle Bar Disengaging Bell Crank Chain Guide Pulley .....
236789	14448	Needle Bar Disengaging Bell Crank Chain Pulley Bracket .....
1064D	14447	Needle Bar Disengaging Bell Crank Chain Guide Pulley Hinge Screw .....
236790	---	Needle Bar Disengaging Bell Crank Chain Guide Pulley Bracket complete, Nos. 1064D, 39571, 236789 and two wood screws $1\frac{1}{2}$ in., No. 12, R.H.B. ....
227610	14448	Needle Bar Disengaging Treadle (single foot, right) with 200526c .....
236787	14448	Needle Bar Disengaging Treadle Chain, 57 in. long, with two 202784 .....
227612	14447	Needle Bar Disengaging Treadle Chain Eye Pin .....
200526c	14447	Needle Bar Disengaging Treadle Chain Eye Pin Set Screw .....
202784	14447	Needle Bar Disengaging Treadle Chain Hook .....
227613	14447	Needle Bar Disengaging Treadle Shaft .....
227614	14447	Needle Bar Disengaging Treadle Spring .....

No.	Plate	Name
227615	14448	Needle Bar Disengaging Treadle Stand with four wood screws $\frac{3}{8}$ in., No. 12 .....
236821	---	Needle Bar Disengaging Treadle complete, Nos. 227610, 227612 to 227615 and 236787 .....

## FOR MACHINE No. 112w135

Same as for No. 112w130 with the following exceptions:

128 x 20	---	Needles, twelve, size 14, in place of 135 x 7 .....
4822	14447	Roller Presser Hinge Screw Nut Wrench .....

## FEED DOGS

211805	14451	Feed Dog, for 236969 .....
212117	14451	" " " 236964 .....
212148	14451	" " " 236967 .....
212154	14451	" " " 236968 .....
236704	14450	" " " 236768, 236818 and 236819 .....
236705	14451	Feed Dog, for 236769 and 236814 ..
236706	14451	" " " 236770 .....
236707	14450	" " " 236770, 236816, 236825, 236826 and 236829 .....
236708	14452	Feed Dog, for 236815 and 236817 ..
236827	14452	" " " 236828 .....
236907	14452	" " " 236923 and 236924 ..
236910	14452	" " " 236929 and 236930 ..

## PRESSER FEET

FOR MACHINE No. 112w130

No.	Plate	Name
236740	14452	Presser Foot, 46 needle hole, in gauges from $\frac{1}{8}$ to $\frac{1}{4}$ in., in steps of $\frac{1}{32}$ in., with 200172n and 229541 . . .
236741	14452	Presser Foot, 46 needle hole, in gauges from $\frac{1}{8}$ to $\frac{3}{8}$ in., in steps of $\frac{1}{32}$ in., for edge stitching on collars . . . . .
202090	14447	Presser Foot Hinge Pin, for 236745
230795	14447	" " " " " 236743
236742	-----	" " Plate, for 236743 . . . .
236744	-----	" " " " 236745 . . . .
202923	-----	" " Shank, for 236743 . . . .
202924	-----	" " " " 236745 . . . .
229541	14452	" " Spring Guide, in gauges from $\frac{1}{8}$ to $\frac{1}{2}$ in., in steps of $\frac{1}{32}$ in., for 236740 . . . . .
200172n	13201	Presser Foot Spring Guide Screw, for 236740 . . . . .
236745	14452	Presser Foot (hinged) complete, 50 needle hole, in gauges from $\frac{1}{8}$ to $\frac{3}{8}$ in., in steps of $\frac{1}{32}$ in., Nos. 202090, 202924 and 236744, for taping . . . . .
Note. State gauge required and furnish sample of tape.		
236743	14452	Presser Foot (hinged) complete, 46 needle hole, in gauges from $\frac{1}{8}$ to $\frac{3}{8}$ in., in steps of $\frac{1}{32}$ in., Nos. 202923, 230795 and 236742, for pocket stitching . . . . .

FOR MACHINE No. 112w131

236914	14452	Presser Foot, 46 needle hole, in gauges from $\frac{1}{8}$ to $\frac{1}{2}$ in., in steps of $\frac{1}{32}$ inch . . . . .
236915	14452	Presser Foot, 46 needle hole, in gauges $\frac{3}{8}$ and $\frac{1}{2}$ inch . . . . .

## TAPE HOLDER

No.	Plate	Name
236830	14448	Bracket Wire and Disc . . . . .
26748	14448	Disc . . . . .
26069	-----	" Hub . . . . .
26070	-----	" " Rivet . . . . .
26749	-----	Disc complete, Nos. 26069, 26748 and three 26070 . . . . .
201246c	14447	Tape Holder Set Screw . . . . .
26073	14447	Tension Adjusting Collar with 286B
286B	14447	" " " Screw . . . . .
13211	14447	" " Spring . . . . .
236831	14448	Tape Holder complete, Nos. 12311, 26073, 26749 and 236830 . . . . .

## THROAT PLATES

FOR MACHINE No. 112w130

No.	Plate	Name
236770	14449	Throat Plate, 50 needle hole, for needle sizes 14 and 15, in gauges $\frac{1}{4}$ and $\frac{3}{8}$ in., for 236706 and 236707
236828	14449	Throat Plate, 53 needle hole, for needle sizes 12 and 13, in $\frac{5}{8}$ in. gauge, for edge stitching on collar, for 236827 .....
236769	14449	Throat Plate, 50 needle hole, for needle sizes 14 and 15, in $\frac{3}{16}$ in. gauge, for 236705 .....
236815	14449	Throat Plate, 50 needle hole, for needle sizes 14 and 15, in $\frac{3}{8}$ in. gauge, for edge stitching on collar, for 236708 .....
236817	14449	Throat Plate, 46 needle hole, for needle sizes 16 and 18, in $\frac{3}{8}$ in. gauge, for edge stitching on collars, for 236708 .....
236814	14449	Throat Plate, 46 needle hole, for needle sizes 16 and 18, in $\frac{5}{8}$ in. gauge, for 236705 .....
236768	14449	Throat Plate, 50 needle hole, for needle sizes 14 and 15, in gauges $\frac{3}{8}$ and $\frac{1}{2}$ in., for 236704 .....
236816	14449	Throat Plate, 50 needle hole, for needle sizes 14 and 15, in gauges $\frac{3}{8}$ and $\frac{1}{2}$ in., for edge stitching on collars, for 236707 .....
236819	14449	Throat Plate, 46 needle hole, for needle sizes 16 and 18, in $\frac{1}{4}$ in. gauge, for 236704 .....
236826	14449	Throat Plate, 46 needle hole, for needle sizes 16 and 18, in $\frac{1}{4}$ in. gauge, for edge stitching on collars, for 236707 .....
236829	14450	Throat Plate, 50 needle hole, for needle sizes 14 and 15, in gauges $\frac{3}{8}$ , $\frac{1}{4}$ , $\frac{1}{2}$ and $\frac{3}{4}$ in., for edge stitching on collars, for 236707 .....
236825	14450	Throat Plate, 46 needle hole, for needle sizes 16 and 18, in gauges $\frac{3}{8}$ , $\frac{1}{4}$ , $\frac{1}{2}$ and $\frac{3}{4}$ in., for edge stitching on collars, for 236707 .....

No.	Plate	Name
236818	14450	Throat Plate, 50 needle hole, for needle sizes 14 and 15, in gauges $\frac{3}{8}$ , $\frac{1}{4}$ , $\frac{1}{2}$ and $\frac{3}{4}$ in., for 236704 ..

FOR MACHINE No. 112w131

236924	14450	Throat Plate, 50 needle hole, for needle sizes 14 and 15, in gauges from $\frac{1}{2}$ to $\frac{5}{8}$ in., in steps of $\frac{1}{32}$ in., for 236907 .....
236923	14450	Throat Plate, 46 needle hole, for needle sizes 16 and 18, in gauges from $\frac{1}{2}$ to $\frac{5}{8}$ in., in steps of $\frac{1}{32}$ in., for 236907 .....
236930	14450	Throat Plate, 50 needle hole, for needle sizes 14 and 15, in 1 in. gauge, for 236910 .....
236929	14450	Throat Plate, 46 needle hole, for needle sizes 16 and 18, in 1 in. gauge, for 236910 .....

FOR MACHINE No. 112w135

236964	14451	Throat Plate, 50 needle hole, for needle sizes 14 and 15, in $\frac{3}{8}$ in. gauge, for 212117 .....
236770	14449	Throat Plate, 50 needle hole, for needle sizes 14 and 15, in gauges $\frac{1}{4}$ and $\frac{3}{8}$ in., for 236706 and 236707
236967	14451	Throat Plate, 50 needle hole, for needle sizes 14 and 15, in $\frac{1}{16}$ in. gauge, for 212148 .....
236968	14451	Throat Plate, 50 needle hole, for needle sizes 14 and 15, in $\frac{5}{8}$ in. gauge, for 212154 .....
236969	14451	Throat Plate, 50 needle hole, for needle sizes 14 and 15, in $\frac{1}{4}$ in. gauge, for 211805 .....

## MISCELLANEOUS PARTS

Used in conjunction with Thread Unwinder

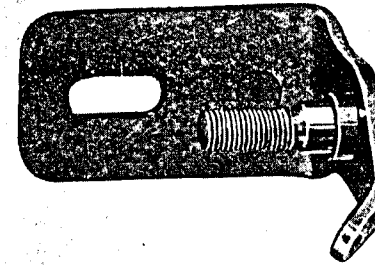
No.	Plate	Name
60913	14083	Spool Weight with 60914 .....
60914	-----	“ “ Center Pin .....
225377	14083	“ Wire, for small spools .....

## OBSOLETE PARTS

236728	14453	Needle Bar Locking Pin .....
236731	14453	“ “ “ “ Slide with 223847 .....
236805	14453	Needle Bar Retaining Spring (flat) (permits disengaging needle bar at top of stroke only) .....
236820	14453	Needle Bar Retaining Spring (flat) (permits disengaging needle bar at any point) .....

## PLATE 10881—FULL SIZE

225461



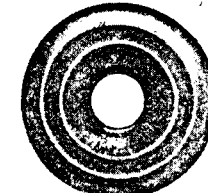
200082



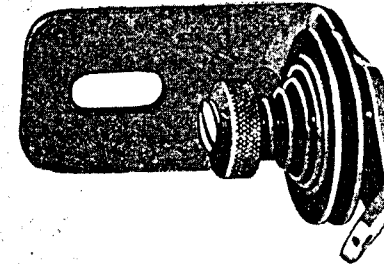
202104



2102



225462



202407



201499



201572



PLATE 10884—FULL SIZE

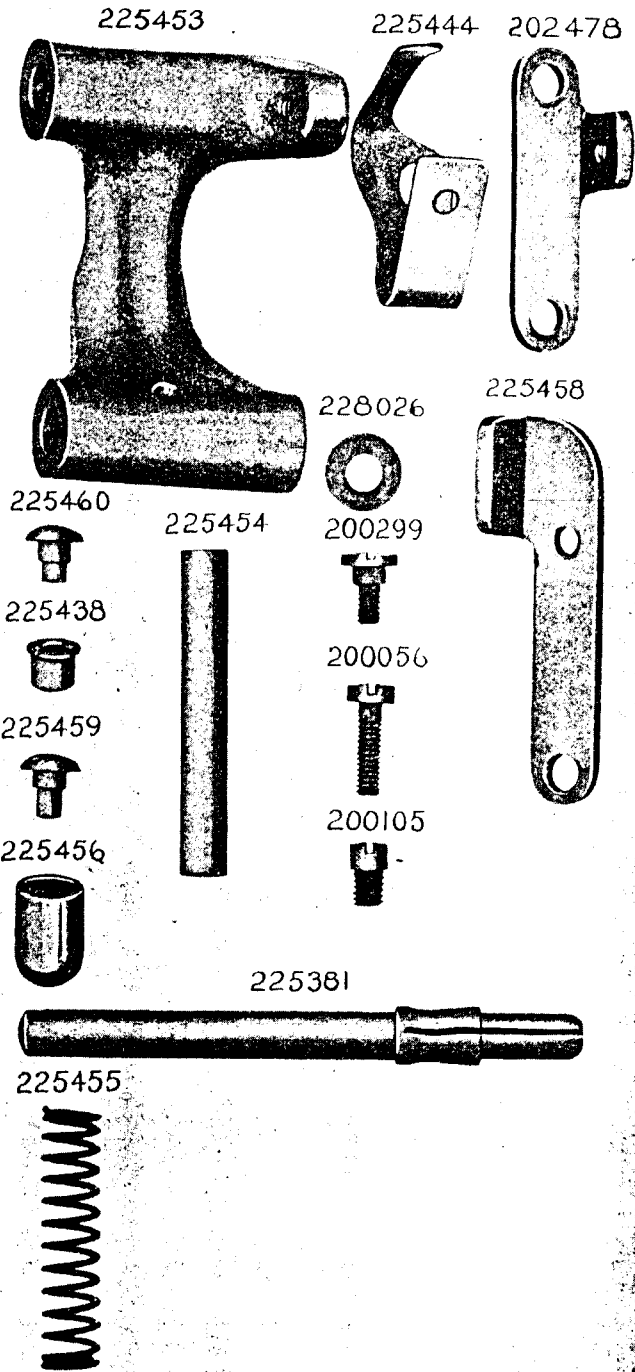
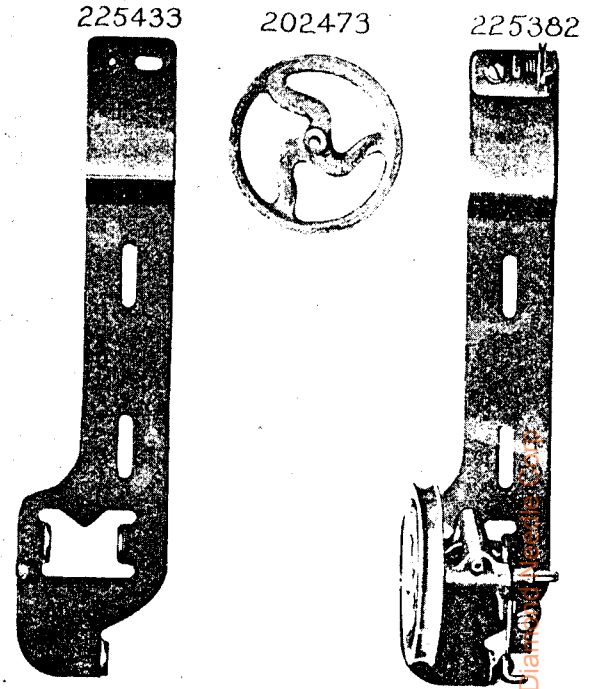


PLATE 10885—ONE-FOURTH SIZE



From the library of: [www.libraryofthing.com](http://www.libraryofthing.com)

PLATE 13201-FULL SIZE

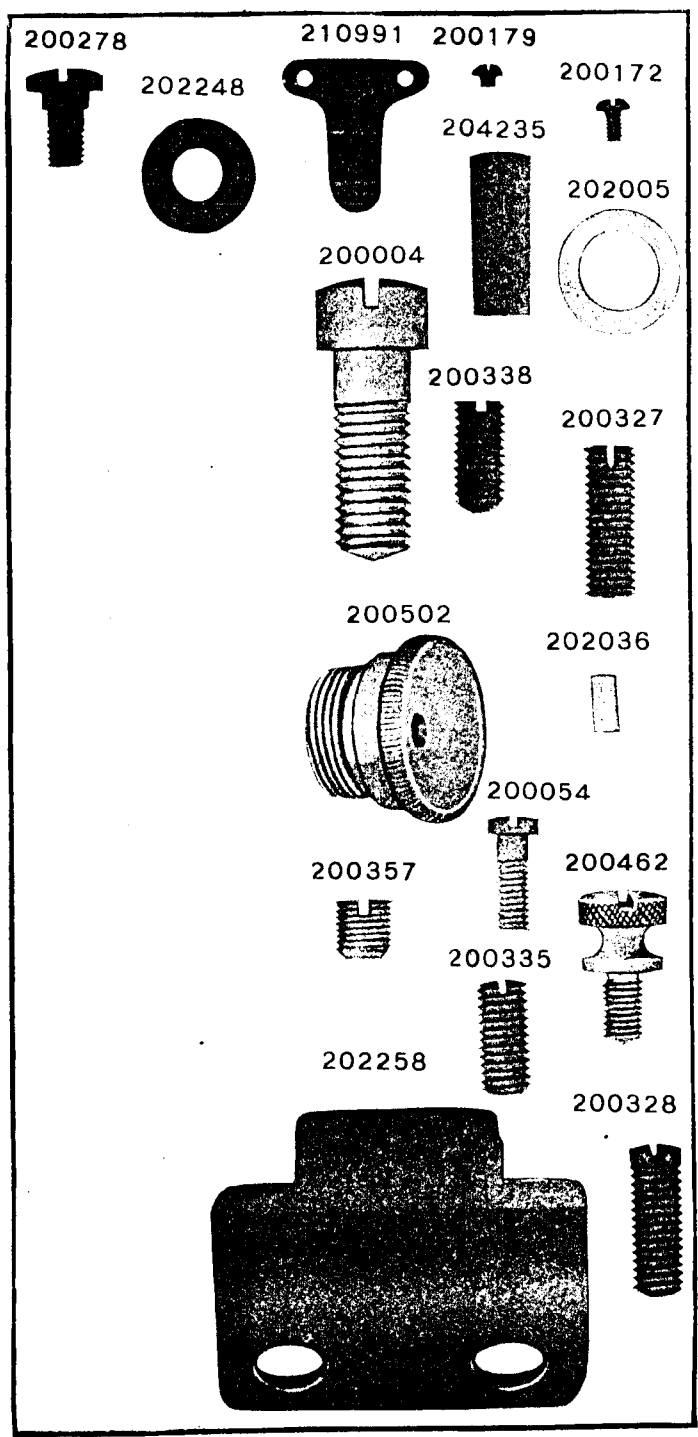
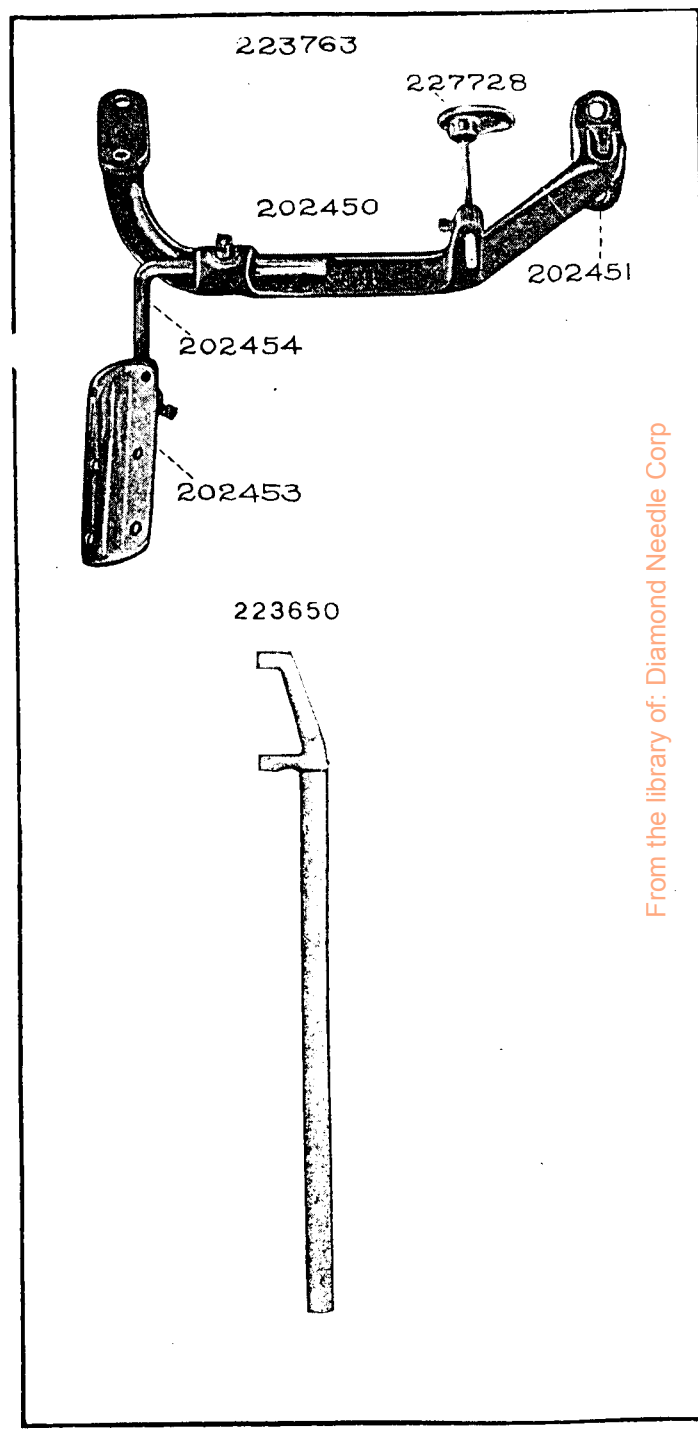


PLATE 13213-ONE-FOURTH SIZE



From the library of: Diamond Needle Corp

PLATE 13225-FULL SIZE

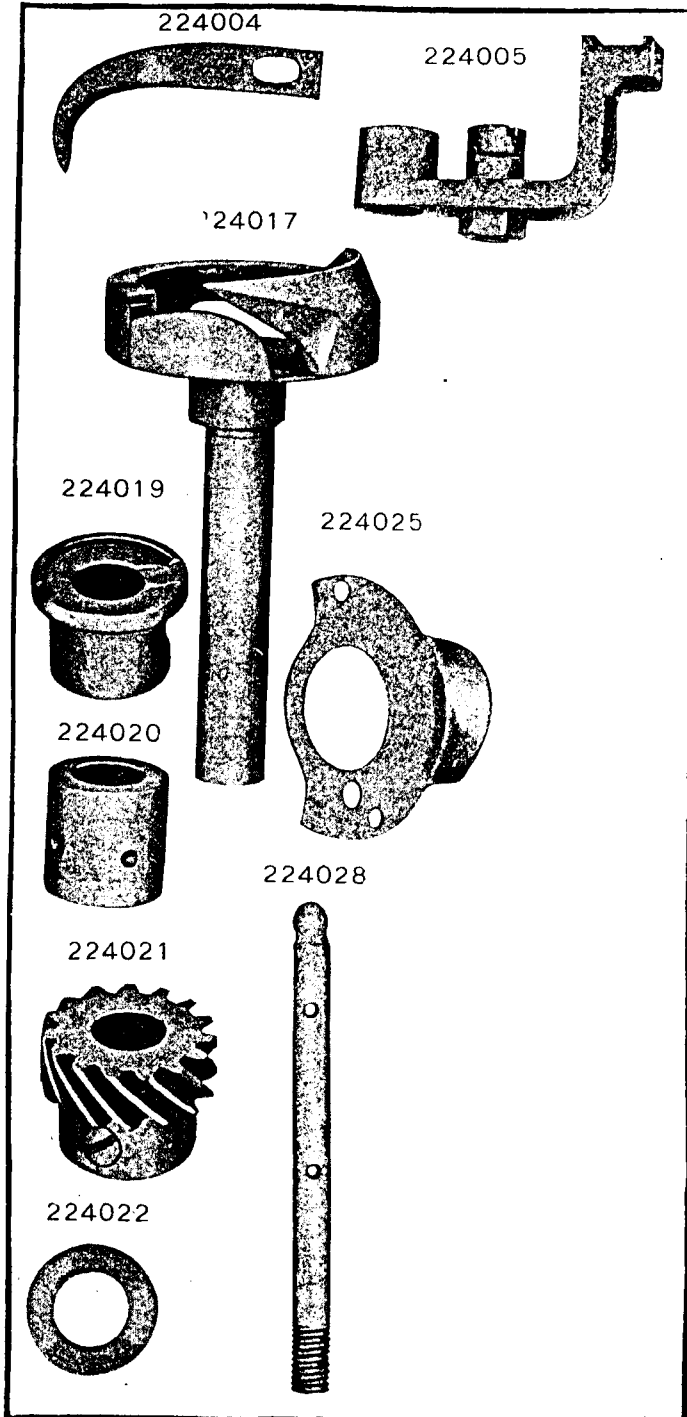
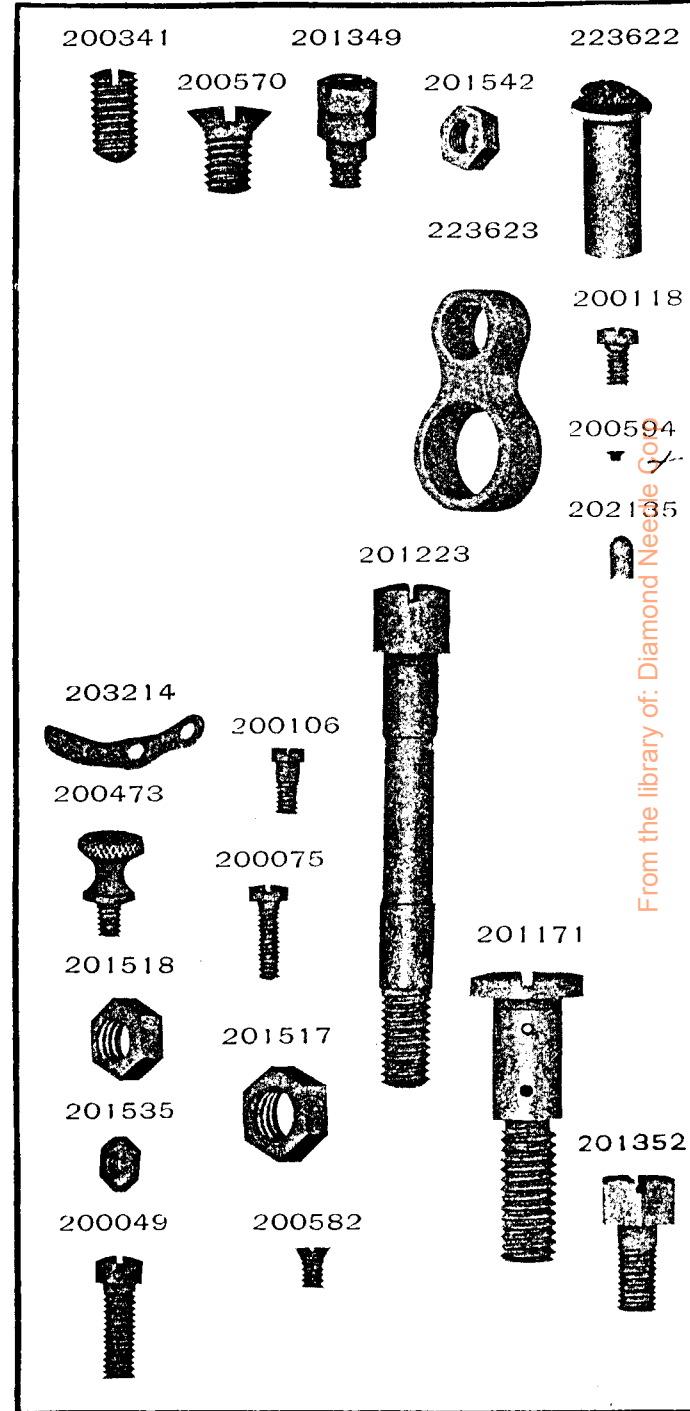


PLATE 13232-FULL SIZE



From the library of: Diamond Needle Co.



PLATE 13234-FULL SIZE

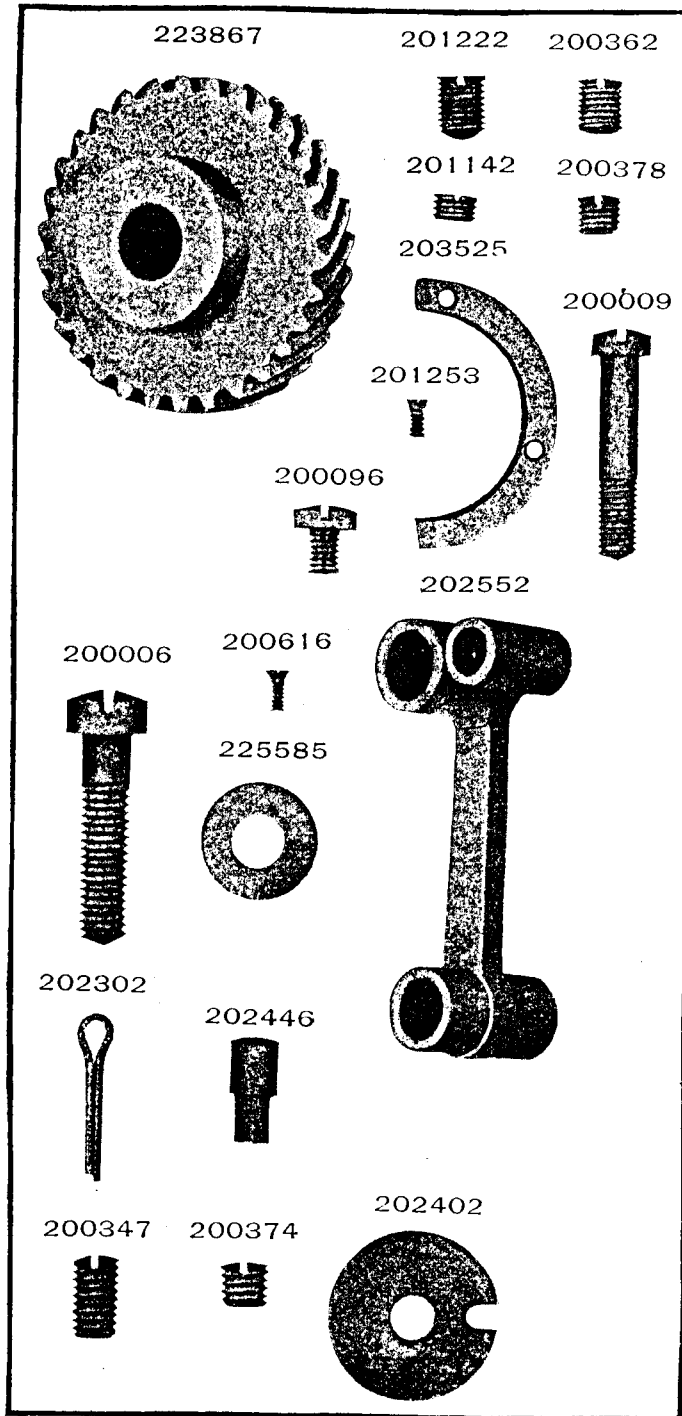


PLATE 13276-FULL SIZE

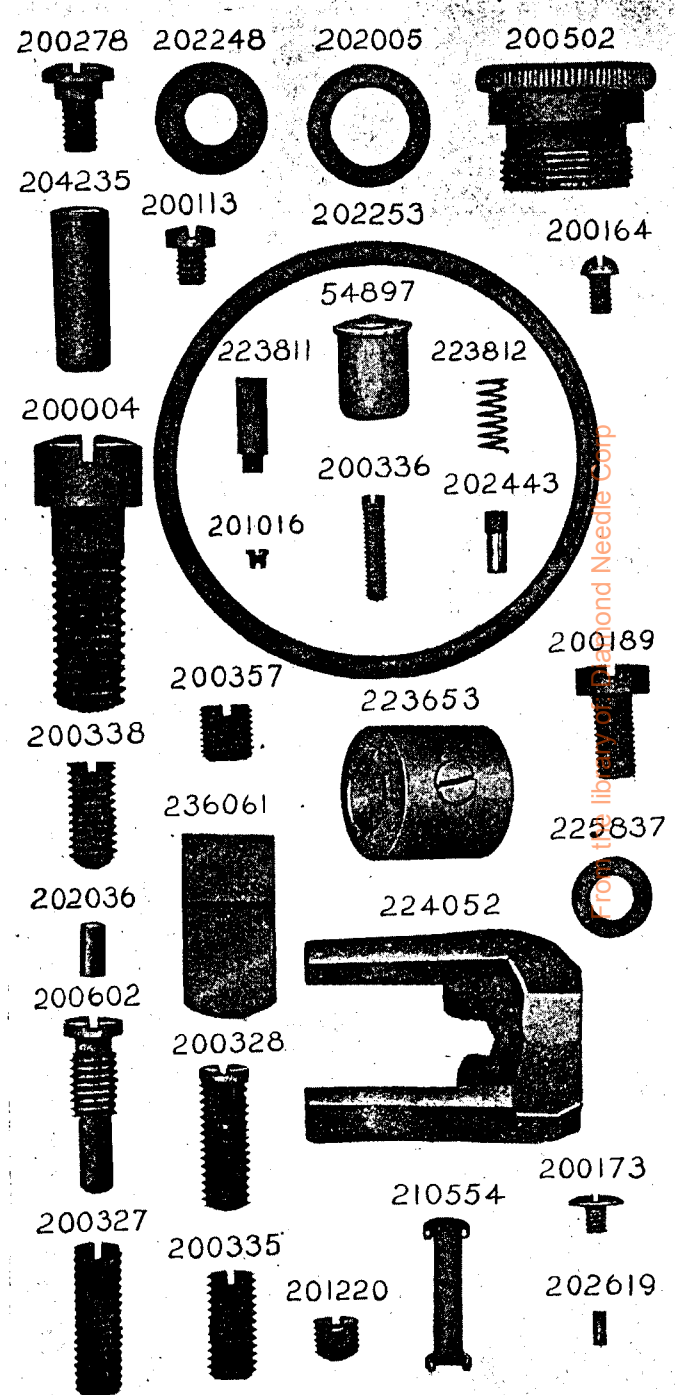


PLATE 14083—ONE-SIXTH SIZE

225377

60913

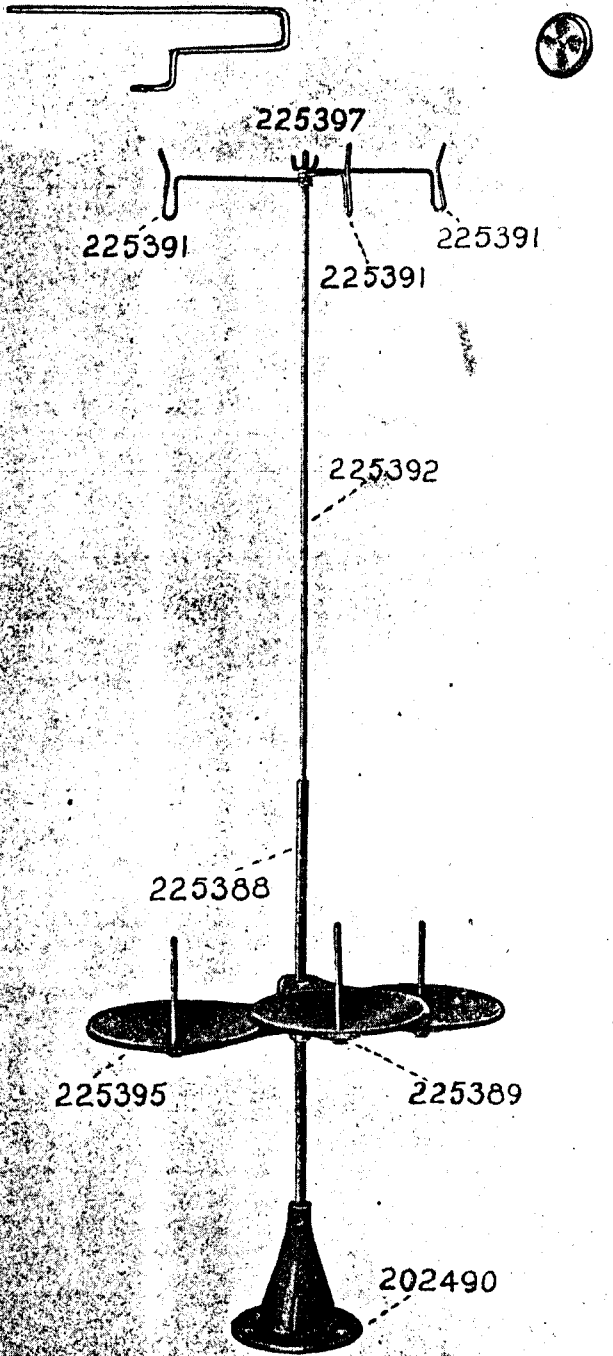
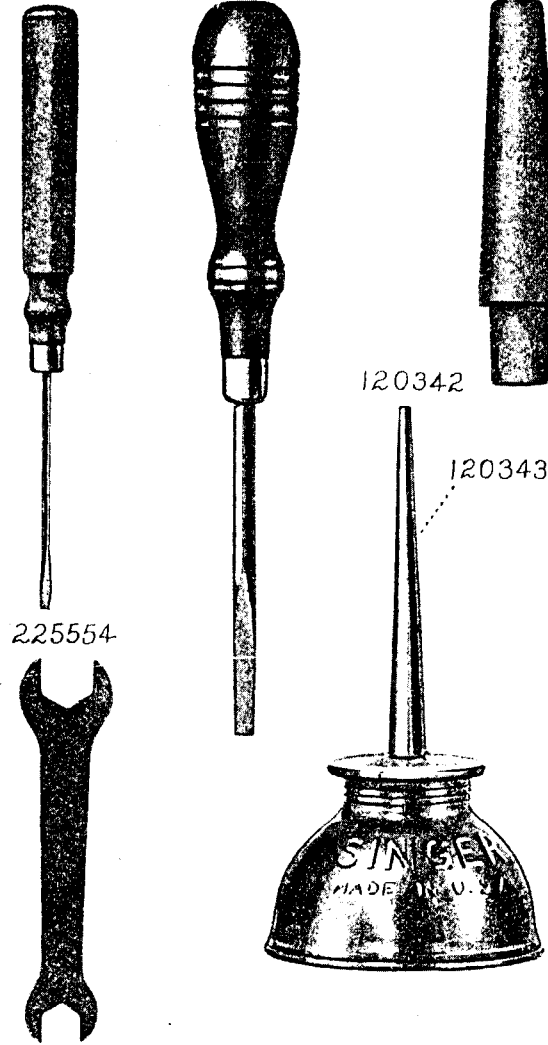


PLATE 14383—ONE-HALF SIZE

225497

225498

41400



From the library of: Diamond Needle Corp

PLATE 14433—FULL SIZE

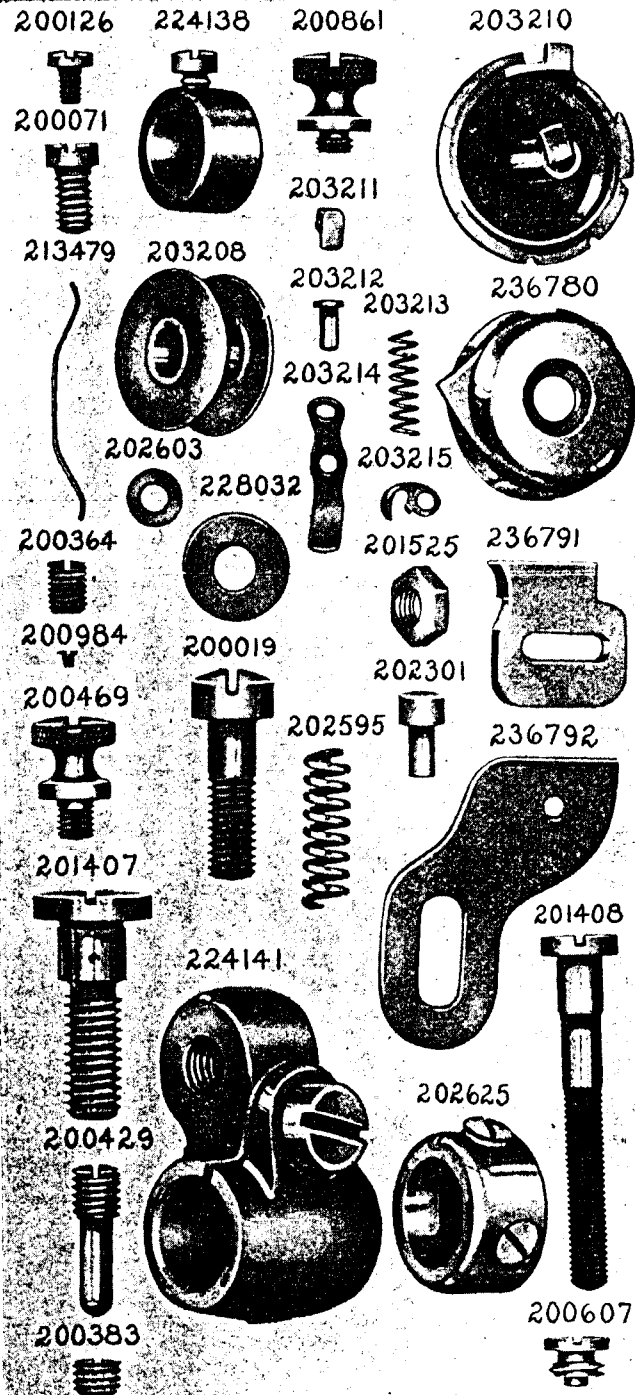
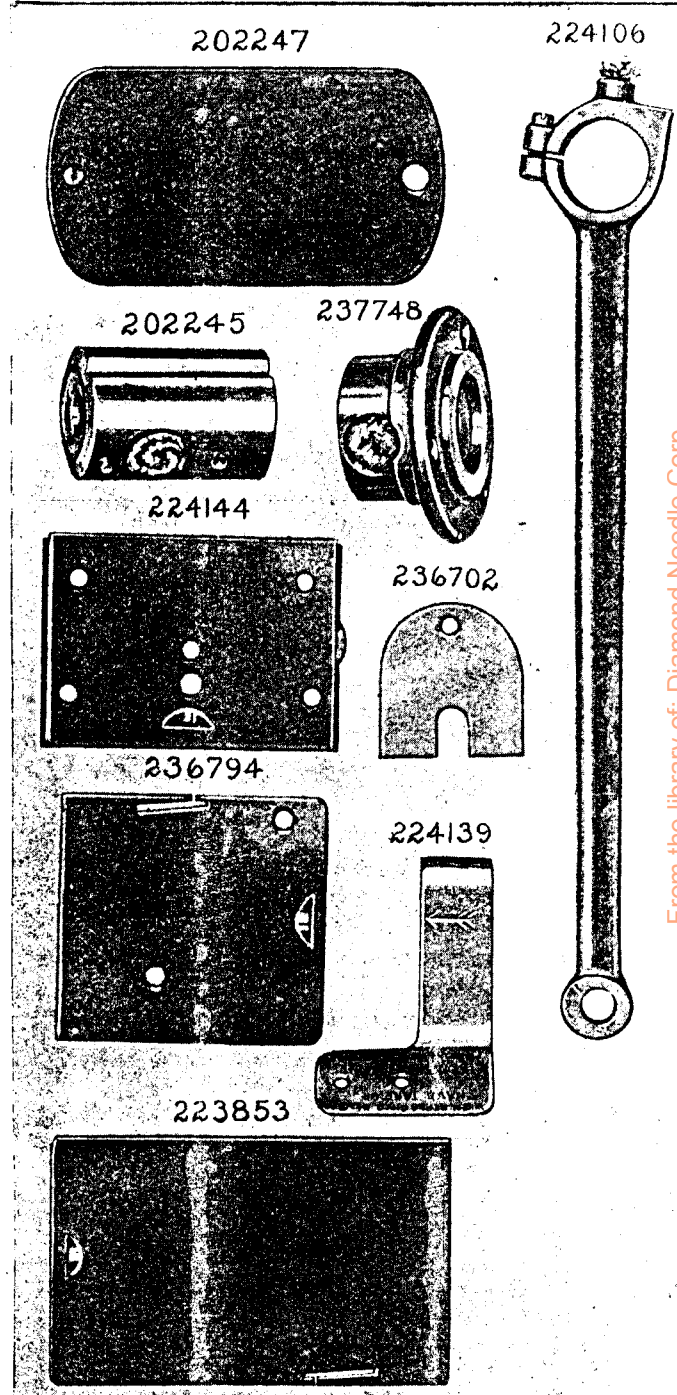


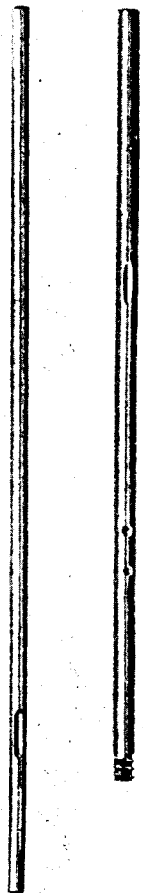
PLATE 14434—ONE-HALF SIZE



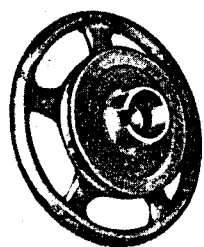
From the library of: Diamond Needle Corp

PLATE 14435-ONE-FOURTH SIZE

224110 236703



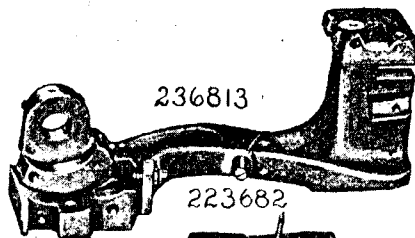
235806



236795



236813

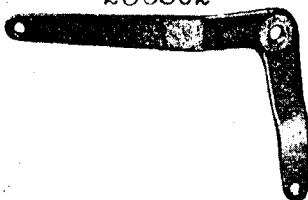


223682

224103



236802



210948

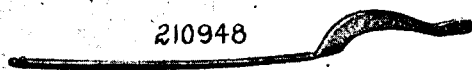
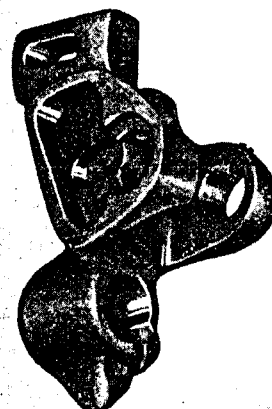
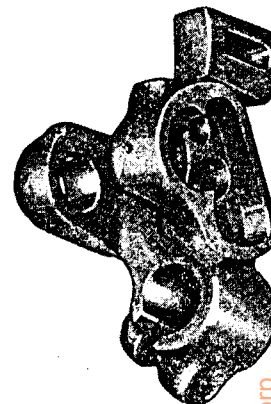


PLATE 14436-ONE-HALF SIZE

224024



224023



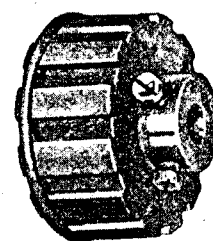
223680



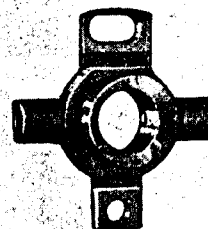
223681



224112



202300



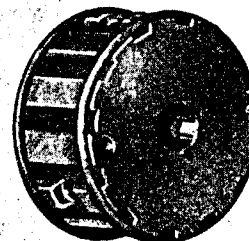
224050



224151



224200



224111



Library of: Diamond Needle Corp

PLATE 14437—FULL SIZE

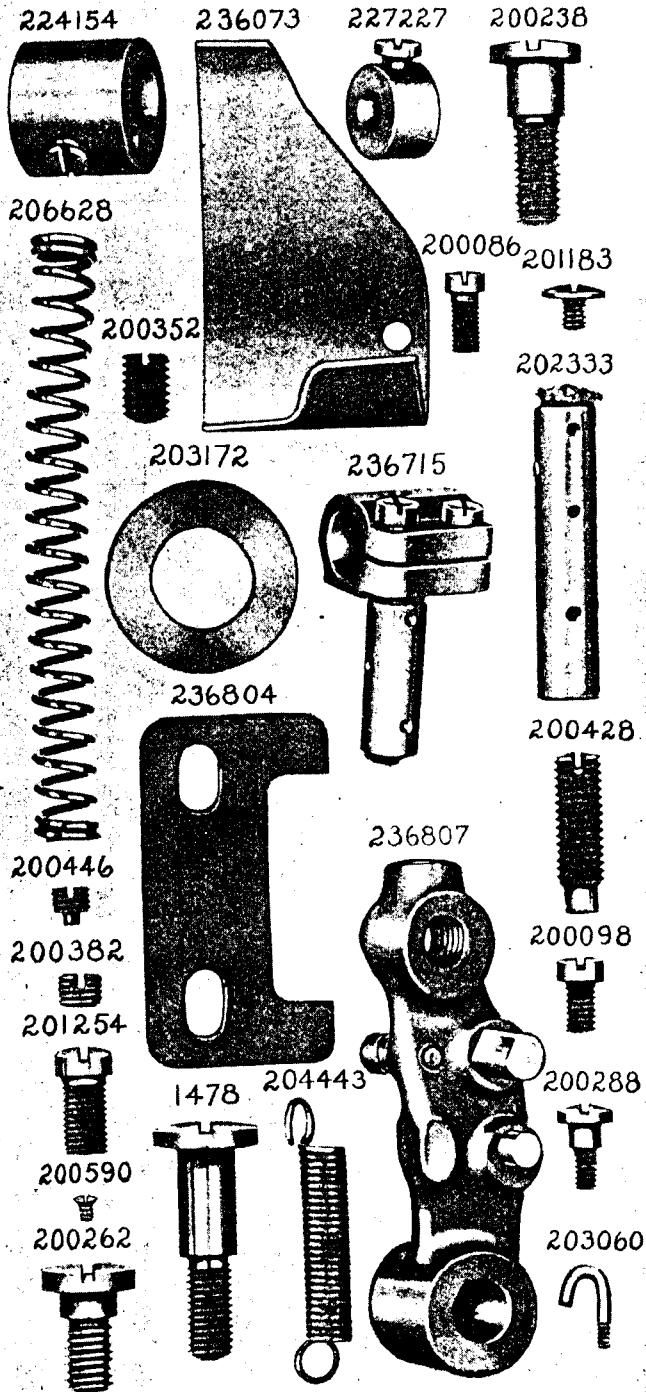
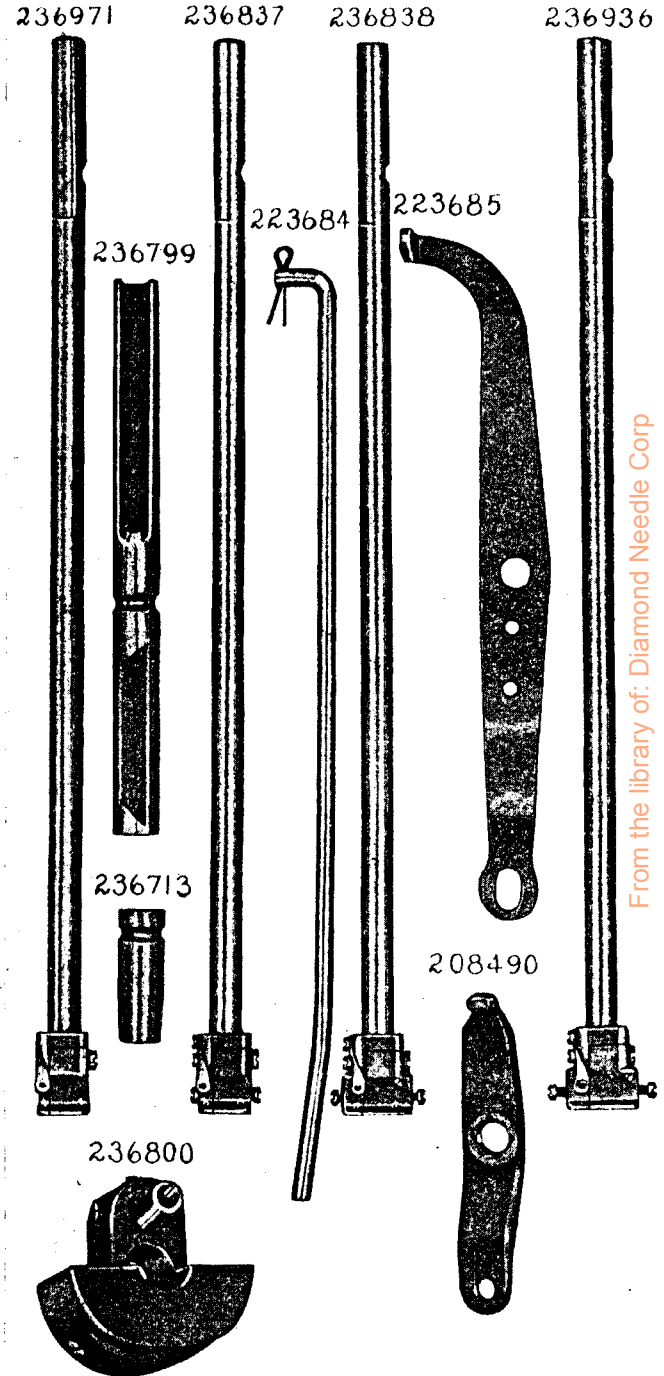


PLATE 14438—ONE-HALF SIZE



From the library of: Diamond Needle Corp

PLATE 14439—ONE-HALF SIZE

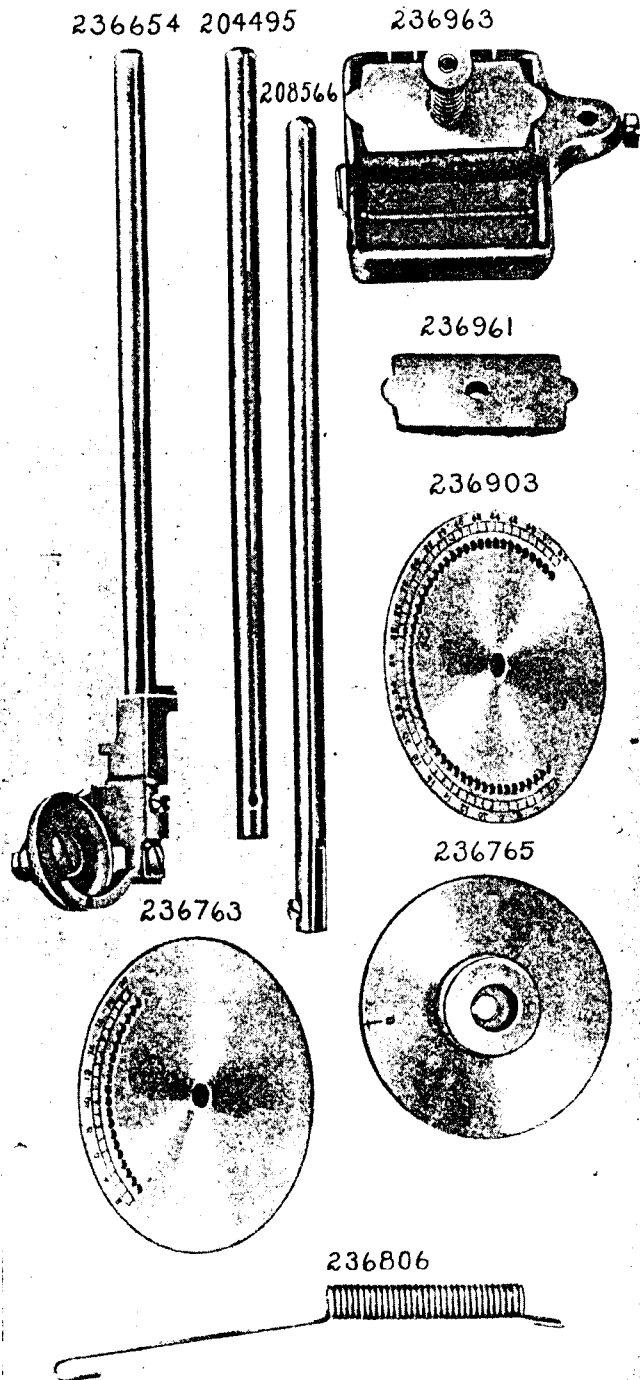


PLATE 14440—FULL SIZE

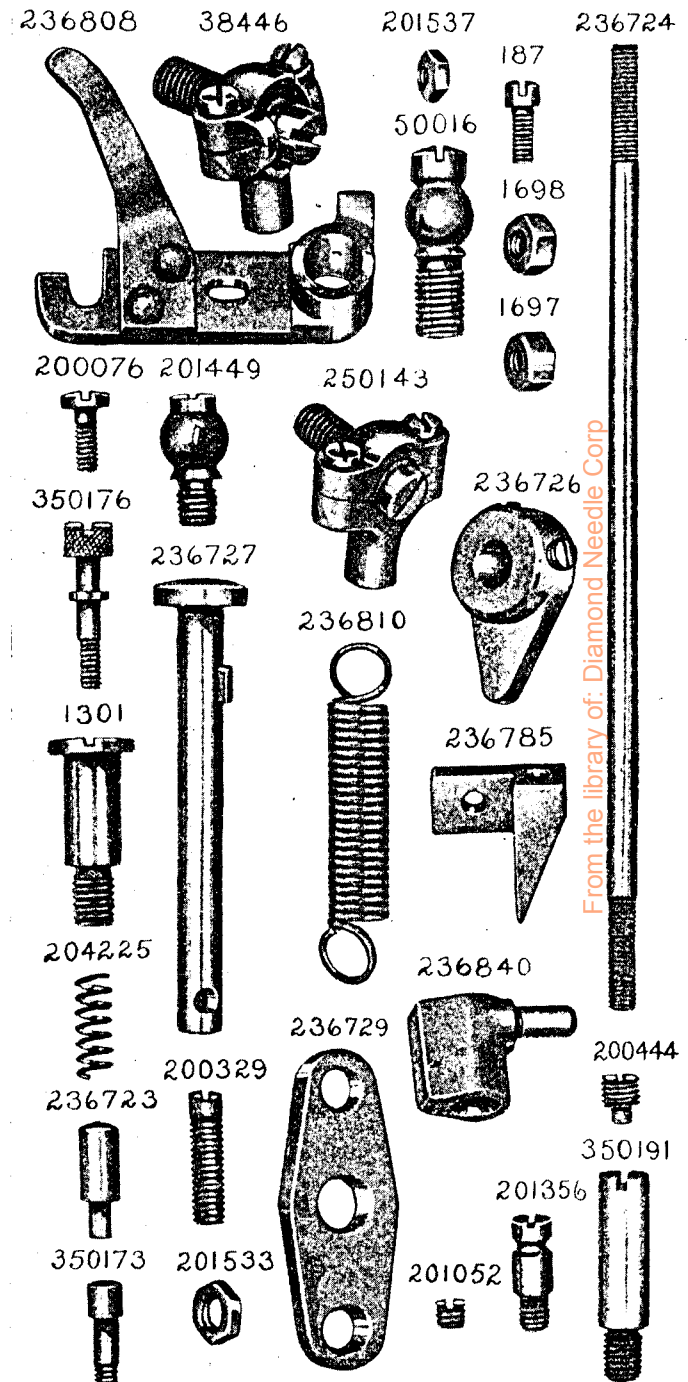


PLATE 14441—FULL SIZE

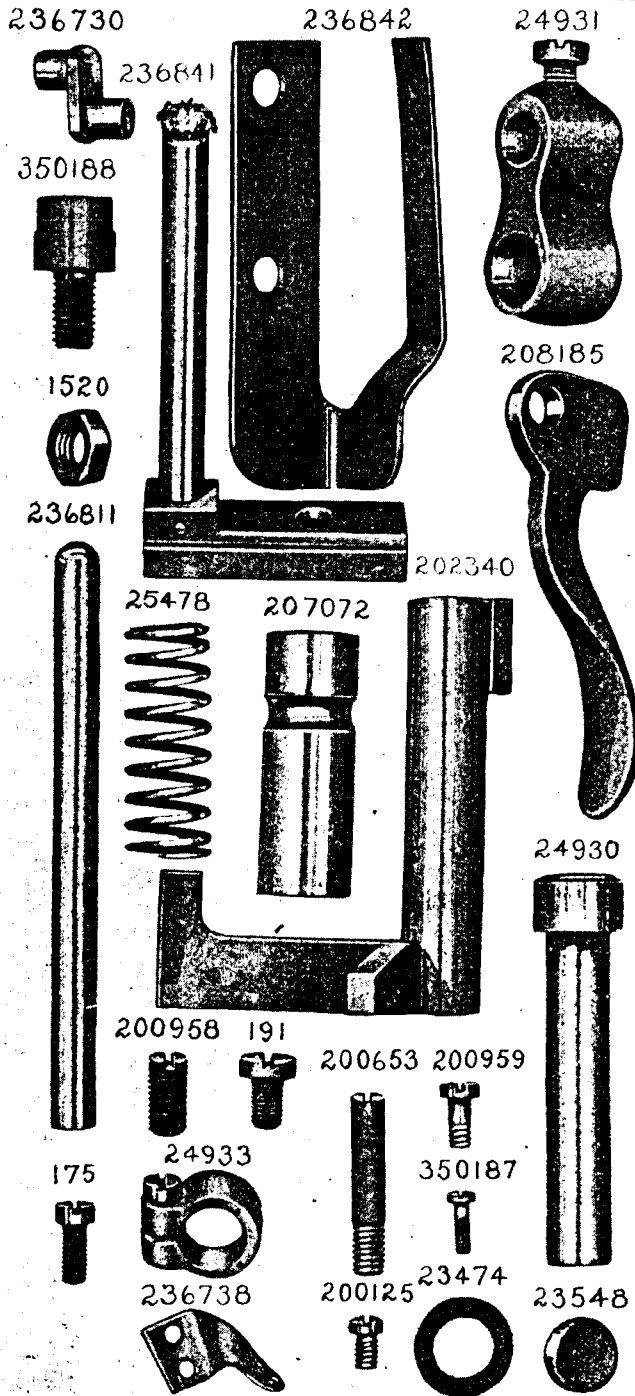
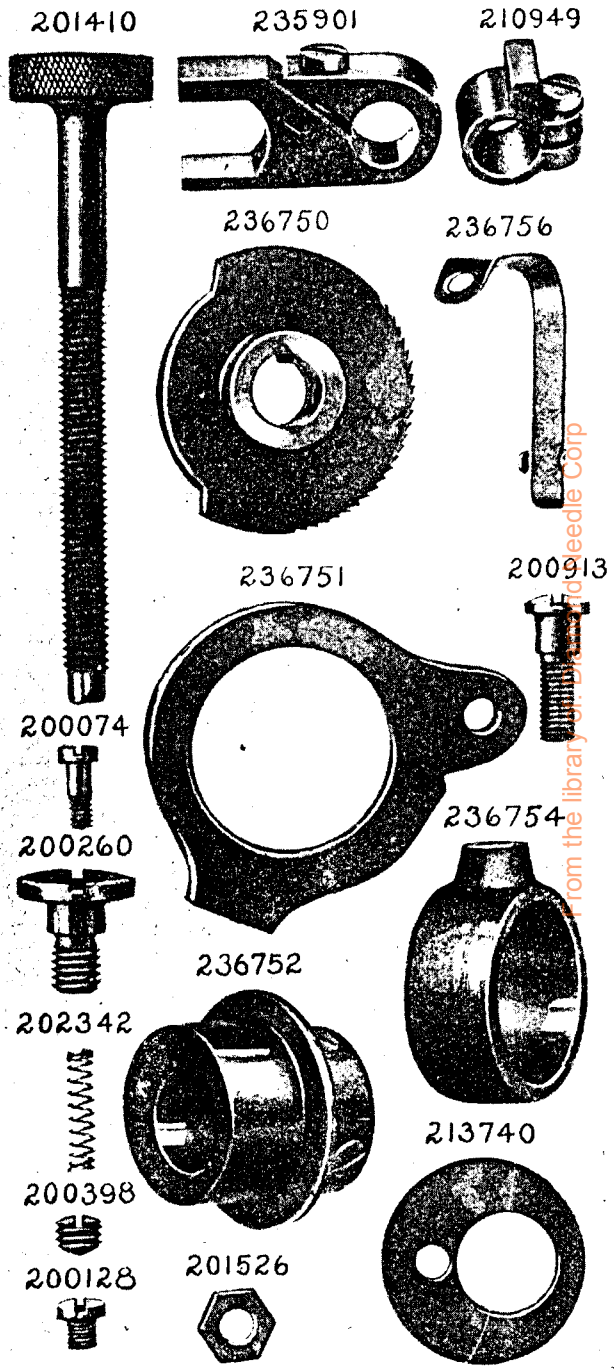


PLATE 14442—FULL SIZE



from the library of the University of Illinois at Urbana-Champaign

PLATE 14443—FULL SIZE

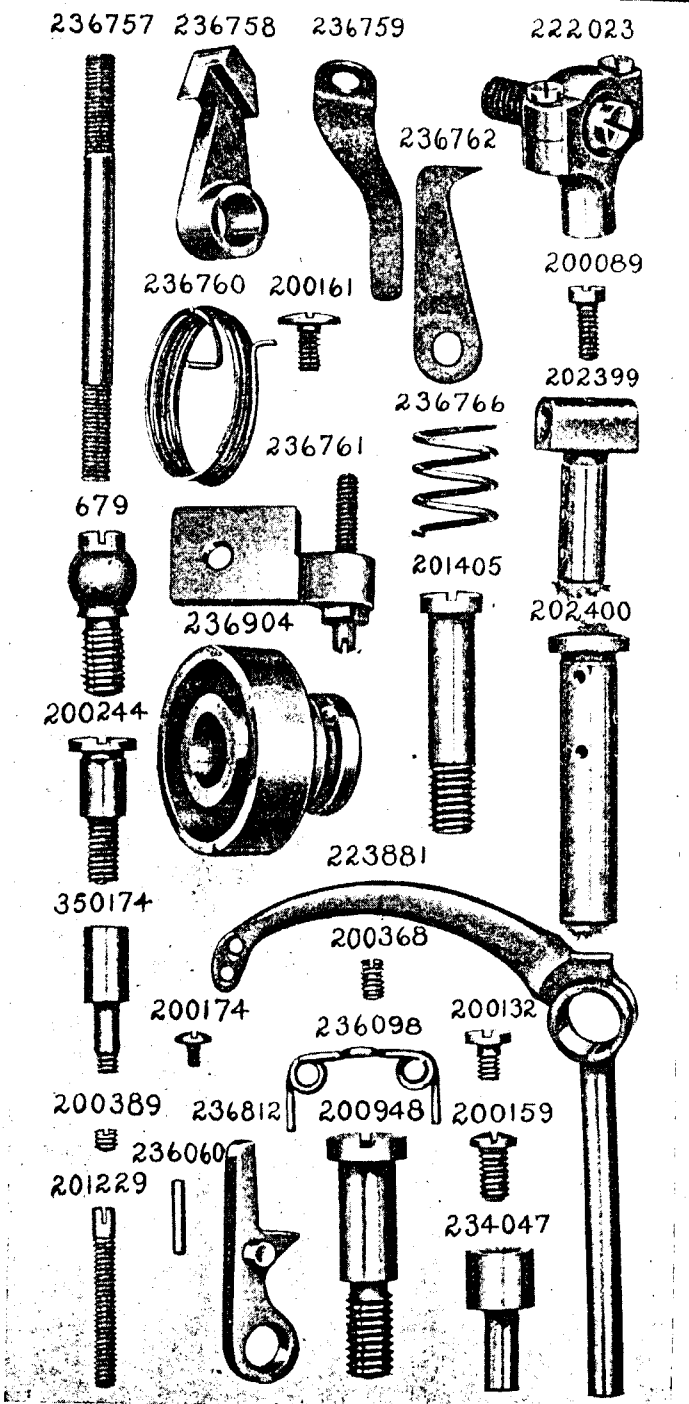


PLATE 14444—FULL SIZE

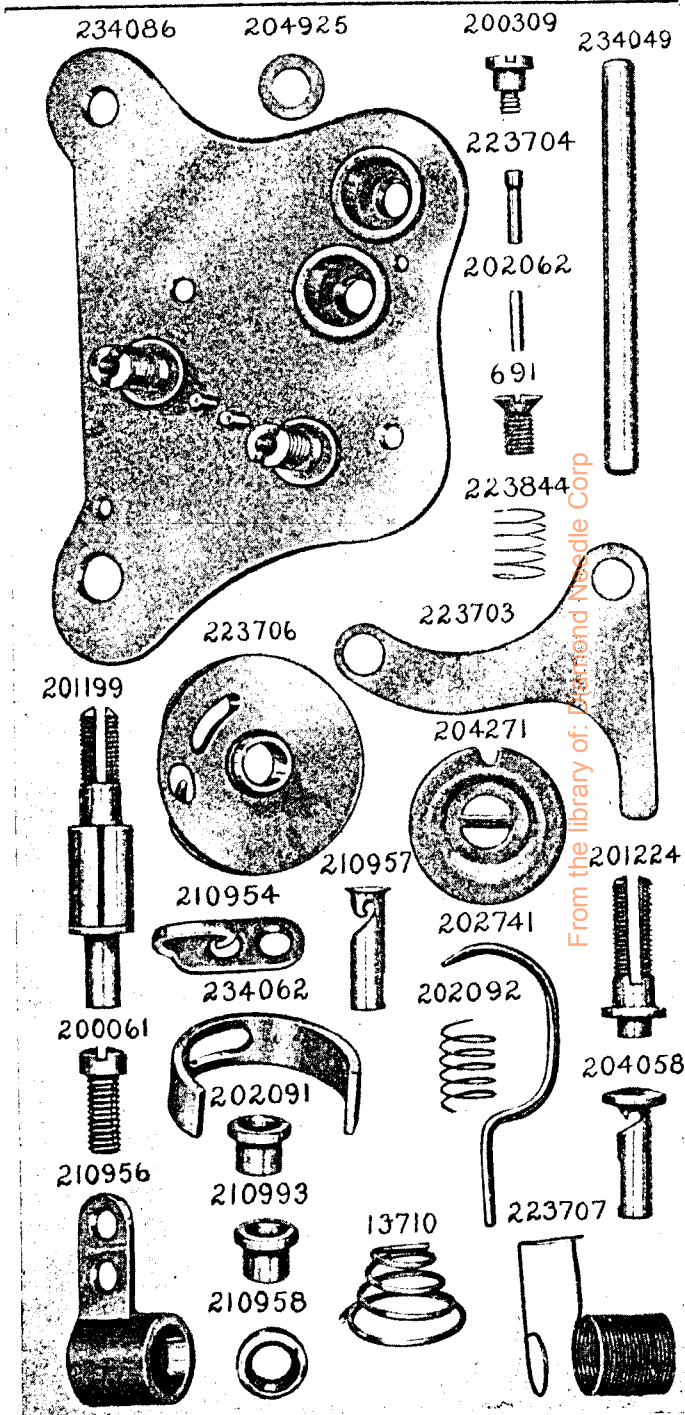




PLATE 14445—FULL SIZE

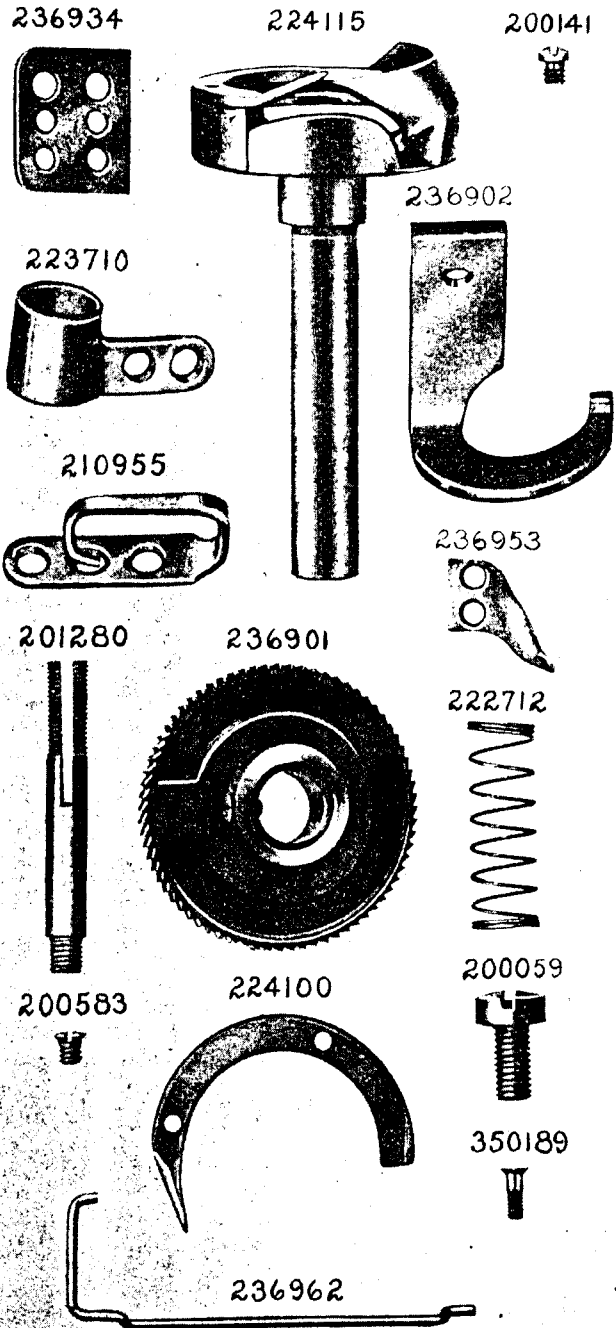
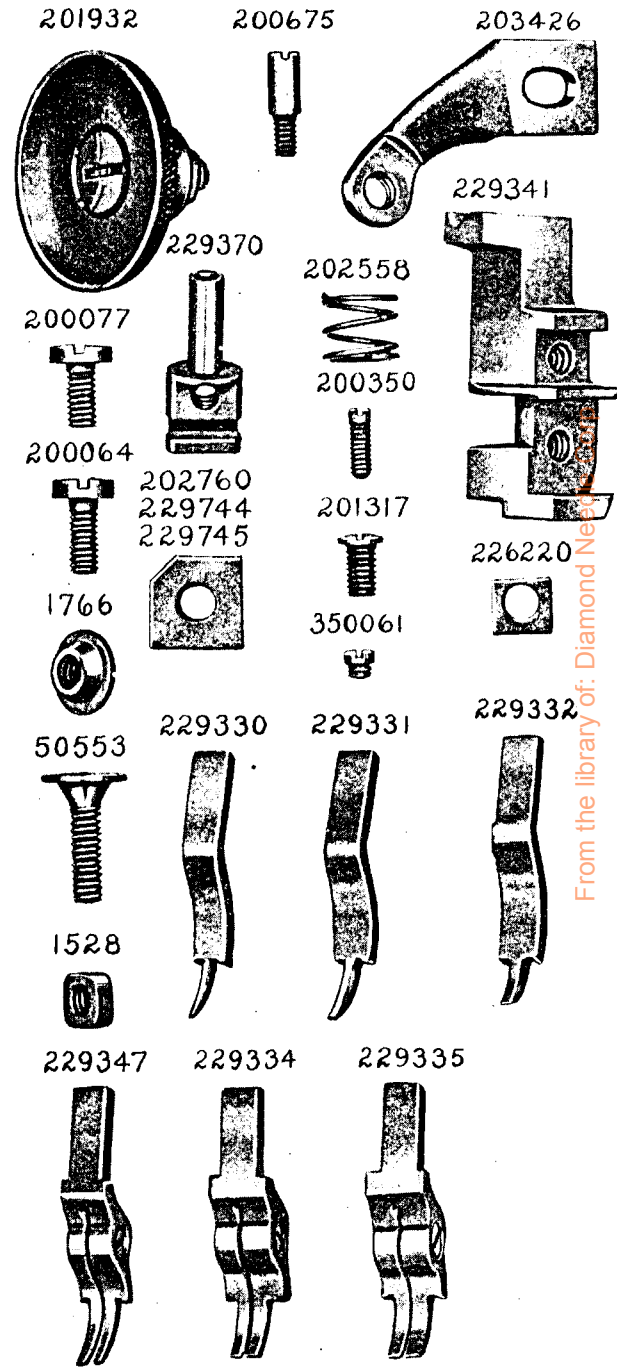


PLATE 14446—FULL SIZE



From the library of: Diamond Net

PLATE 14447—FULL SIZE

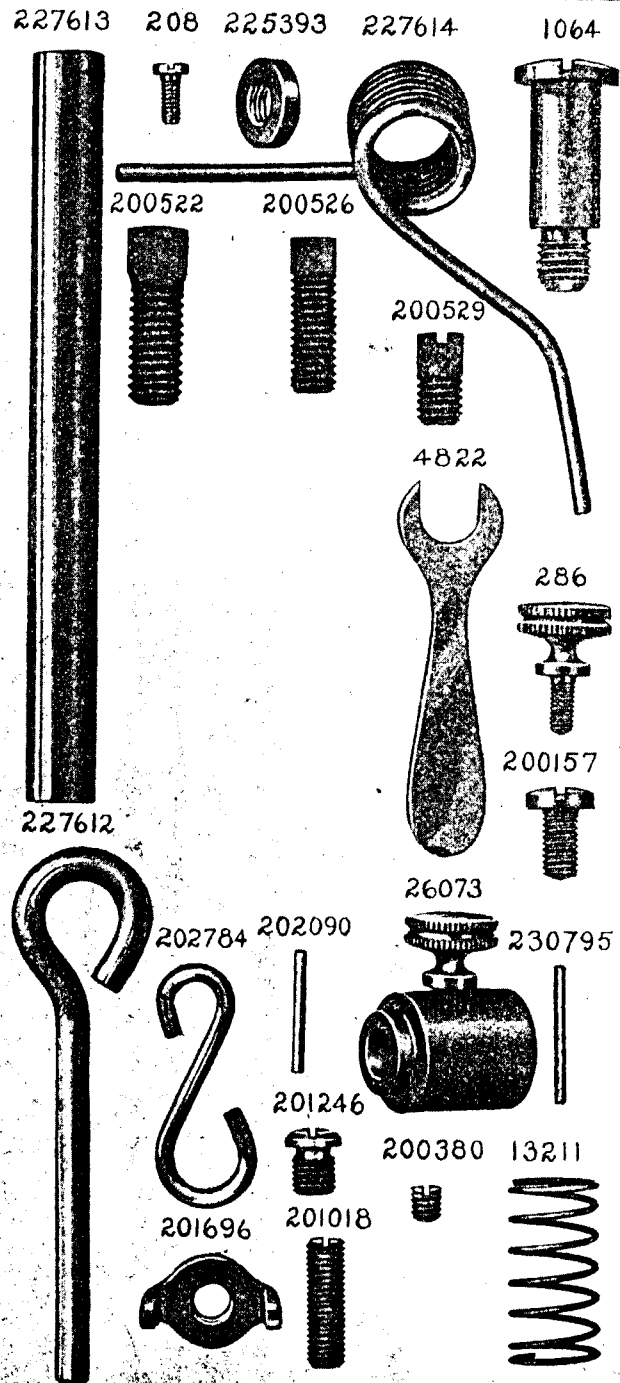
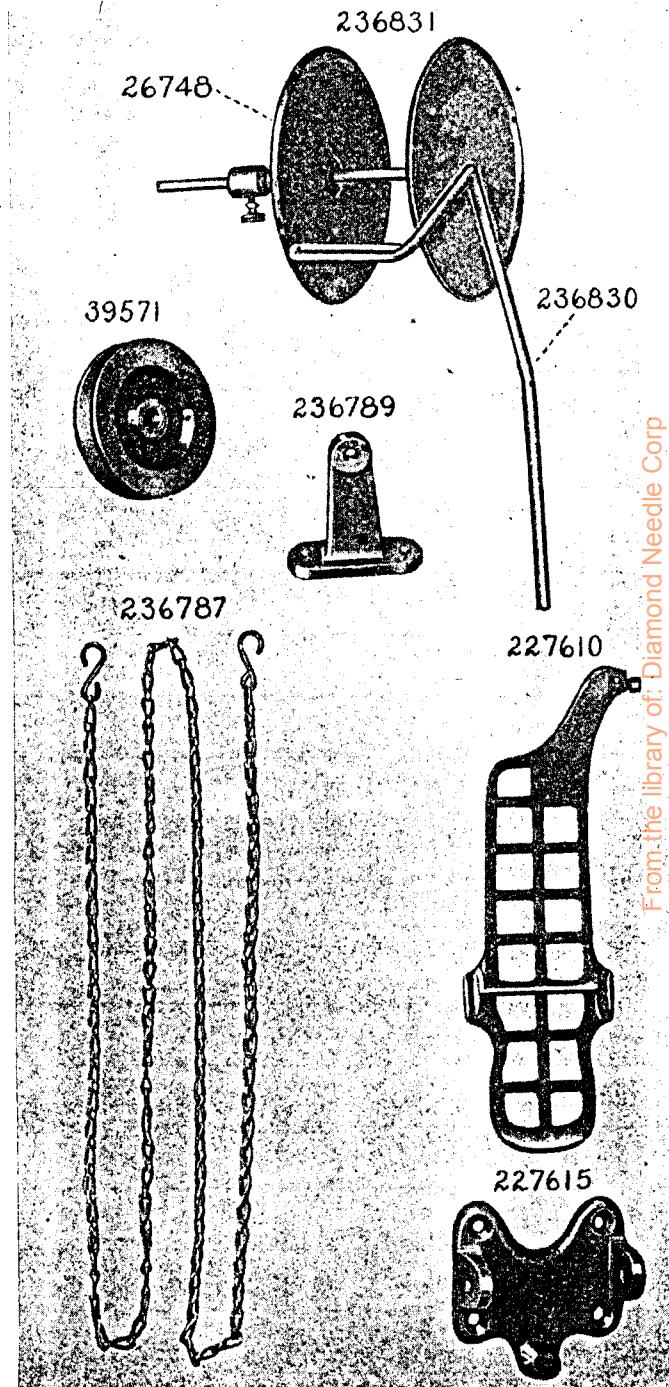


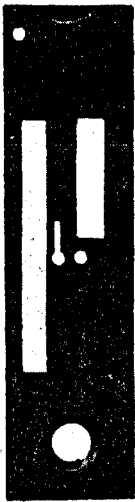
PLATE 14448—ONE-FOURTH SIZE



From the library of: Diamond Needle Corp

PLATE 14449—FULL SIZE

236770



236828



236769  
236814



236815  
236817



236768  
236819

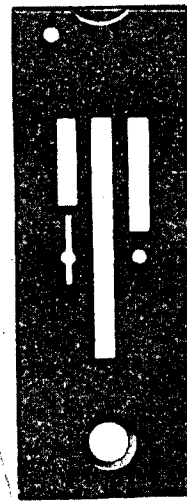


236816  
236826

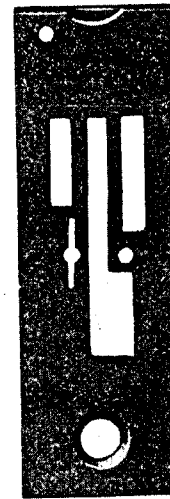


PLATE 14450—FULL SIZE

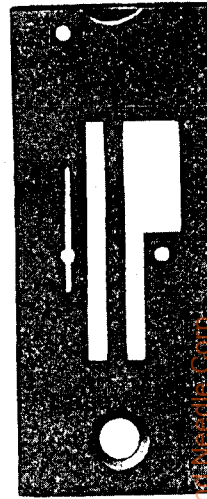
236818



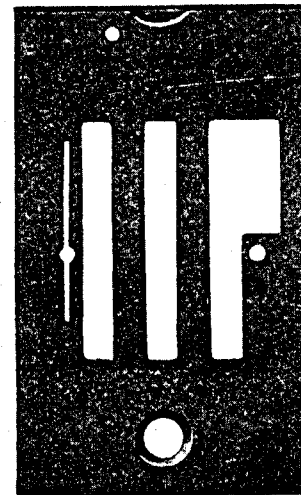
236825  
236829



236923  
236924



236929  
236930



236704



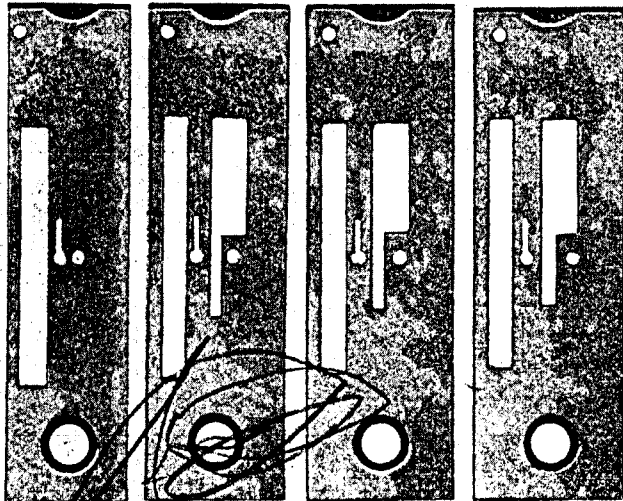
236707



From the library of: Diamond & Drilling Corp.

PLATE 14451—FULL SIZE

236964 236967 236968 236969



212117

236706

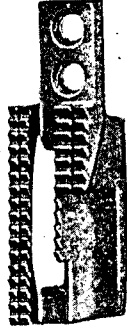
212148



212154



211805

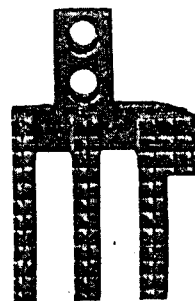


236705



PLATE 14452—FULL SIZE

236910 236907 236708



236827

236914

236740

236741



229541



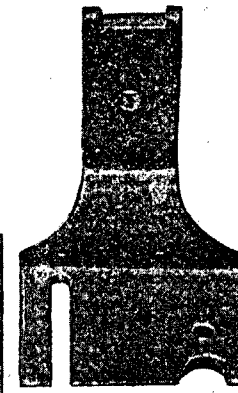
236745



236743



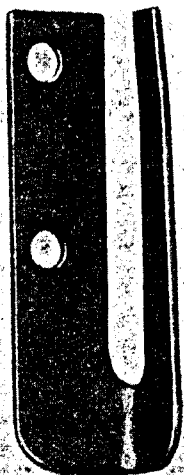
236915



From the library of: Diamond Needle Corp

PLATE 14453—FULL SIZE

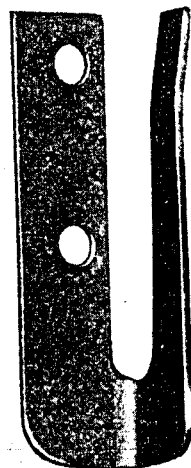
236805



236731



236820



236728

